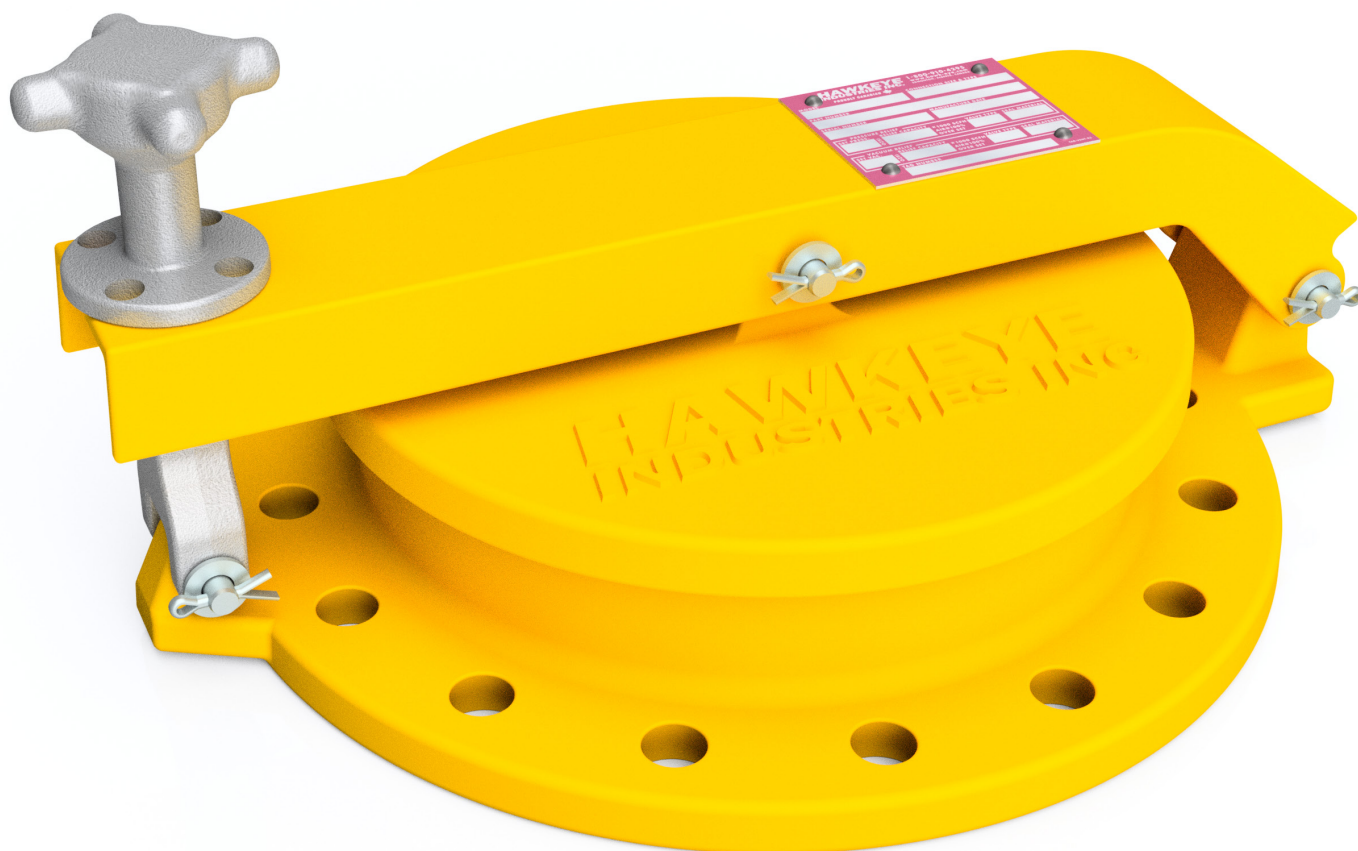


VENTING | GAUGE HATCHES

MODEL 500 LOCKDOWN HATCH



Features

- Full Throat Access.
- Sweet and Sour-Service Options.
- Simple locking design.
- Precision parts, all made in Canada.



FEATURES

Full Throat Access

- The 8" Lockdown Hatch provides a full 8" diameter opening for tank access.

Sweet and Sour Service Options

- Seal options available for both sweet and sour service. Alternate seals available for other chemical service.

Simple Locking Design

- The flip-down locking knob allows for quick access to the tank while providing an integral locking point to restrict entry to the tank.

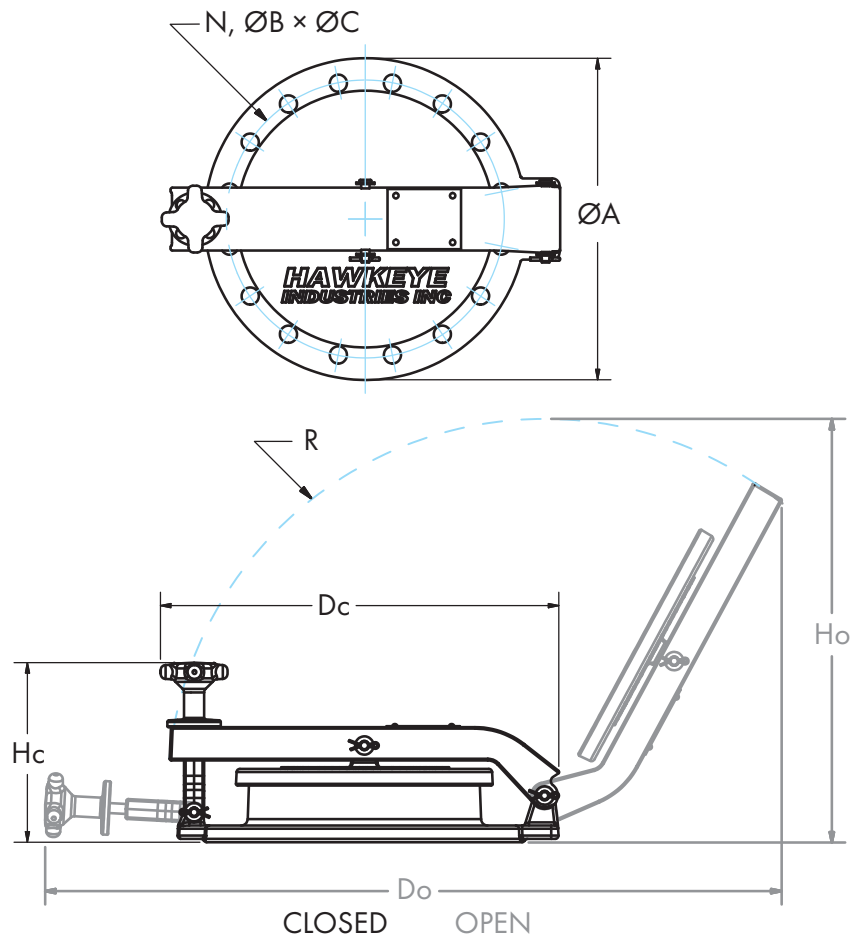
Precision Parts Made in Canada

- Manufactured and assembled from high precision components at the Hawkeye Industries factory in Edmonton, Alberta, Canada.

DIMENSIONS

	Dimension	Value	
	Connection Size	8 API 12F	
		[in.]	[mm]
A	Flange Diameter	12	305
N	Number of Bolts	16	
B	Bolt Hole Diameter	5/8	16
C	Bolt Circle	10.375	264
Hc	Height - Closed	6.7	170
Ho	Height - Open	16	406
Dc	Depth - Closed	15	381
Do	Depth - Open	27.6	701
R	Swing Radius	14.2	361
W	Device Weight ¹	9.6 lb	4.4 kg
	Bolt Quantity & Size	16×1/2-13UNC	

¹ Weight excludes mounting hardware and packaging. Estimate an additional 5-7 lbs [2.3-3.2 kg] for shipping weight.



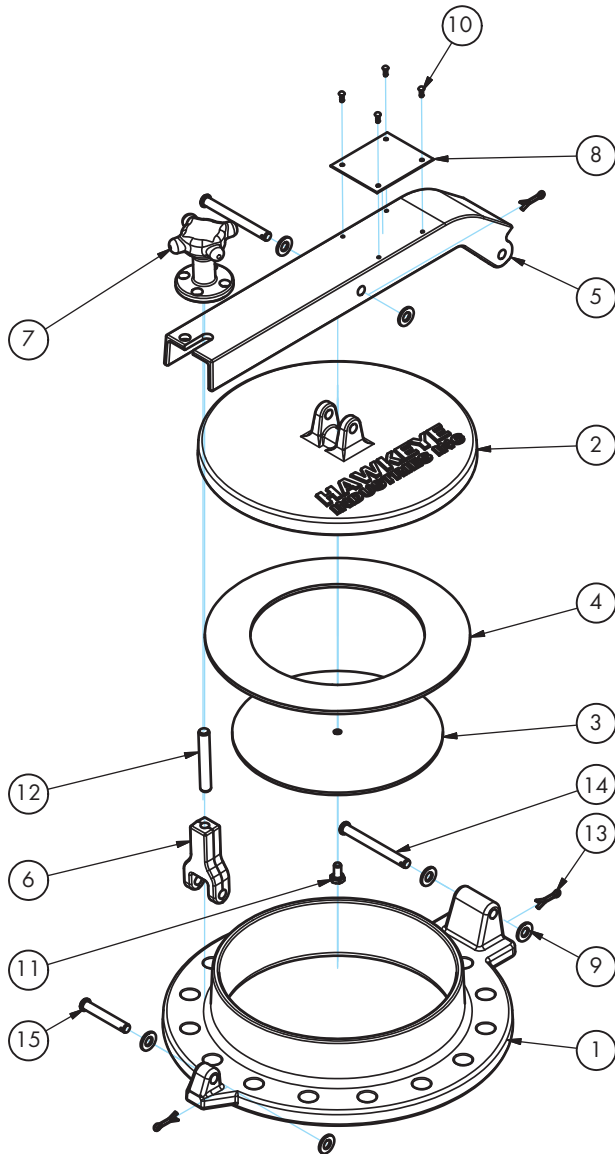
SPECIFICATIONS

Function	Locking Gauge Hatch (Non-Venting)
Temperature Range	- 50°C to 100°C ¹ [-58°F to 212°F] (Sweet, CR) -26°C to 100°C ¹ [-14°F to 212°F] (Sour, FKM, normal) -40°C to 120°C [-40°F to 248°F] (Sour, FKM, short-term extended operating)
Maximum allowable pressure	4 psi [28 kPag]
Tank Connection	8" API (Fig 1 API 12F)

¹ Maximum temperature is upper limit of powder coating operating temperature. Increased operating temperatures may be realized with different coatings, or omitting the coating entirely. Contact your Hawkeye Sales Rep for more information.



PARTS LIST & MATERIALS OF CONSTRUCTION



Item	Part Name	Std. Material	Opt. Material
1	Base ¹	A356 Aluminum	
2	Pallet ¹	A356 Aluminum	
3	Seal Retainer	5052 Aluminum	
4	Seal	CR (Neoprene)	FKM (Viton)
5	Arm ¹	A356 Aluminum	
6	Stem	A356 Aluminum	
7	Knob	A356 Aluminum	
8	Hatch Tag	Aluminum	
9	Washer	Steel, ZP	
10	Tag Rivet	Steel, ZP	
11	Cap Screw, Hex	Steel, ZP	
12	Stud	Steel, ZP	
13	Pin-Cotter	Steel, ZP	
14	Pin-Clevis Long	Steel, ZP	
15	Pin-Clevis Short	Steel, ZP	

¹ Powder Coated Safety Yellow. All other parts bare or as specified.

HATCH MARKING


All completed and tested Lockdown Hatches have a permanent metal tag affixed to the topmost arm indicating: Device Type, Connection Size, Part Number, Serial Number, Date of Manufacture, and Seal Materials.

LEAK TESTING

Model 500 Lockdown hatches are leak tested before shipment.

Items passing the quality control measures are marked with the label at right.





HAWKEYE INDUSTRIES INC.
PROUDLY CANADIAN

1-800-910-4295
www.hawk-eye.com
EDMONTON, ALBERTA, CANADA

MODEL		CONNECTION SIZE & TYPE	
PART NUMBER			
SERIAL NUMBER		MANUFACTURE DATE	
PRESSURE RELIEF			
SET PRESS.	RELIEF CAPACITY	VALVE TYPE	SEAL MATERIAL
OZSI	* 1000 SCFH		
	AIR@100% OVER SET		
VACUUM RELIEF			
SET VAC.	RELIEF CAPACITY	VALVE TYPE	SEAL MATERIAL
OZSI	* 1000 SCFH		
	AIR@100% OVER SET		
TAG NUMBER			

TAG-VENT-R4



ORDERING INFORMATION

Most Model 500 Lockdown Hatch configurations are near-stock, and we endeavor to ship in 2 - 4 business days ARO. Other configurations are typically build-to-order and available in about two weeks. Configure your desired Model 500 Lockdown Hatch using the part number legend below. Coatings, seals and bolt & gasket materials in bold are standard items and have fastest lead times. For project quantities, or configurations not listed here, contact your Hawkeye sales rep for more information.

LDH - **5** **8** **A** - **E** **F**

Size Code

Nominal Size	Flag
8" API 12B/F	8

[A] Service

Seal Material	Flag
Sweet Service CR (Neoprene) Seals	0
Sour Service FKM (Viton) Seals	1

[E] Coatings

Coating	Flag
Standard Bare / P.C. Yellow	0
Severe Sour FBE Red	1
Acid Service Green	2

[G] Reserved

	Flag
	0

VCBK - **0** **8** **0** **M** - **0**

[M] Material

Grade	Flag
Gr. 5	5
Gr. 8	8
18-8 S.S	G

Bolt kits include, Hex Cap Screws, Nuts, Washers, and are sized per the relevant standard and have length to accommodate a standard thickness mounting flange and gasket. Contact us for non-standard lengths.

VCGA - **0** **8** **0** **M** - **T**

[M] Material

Grade	Flag
CR (Neoprene)	0
FKM (Viton)	1
Thick FKM (Viton)	2
FEPM (Aflas)	3

[T] Thickness

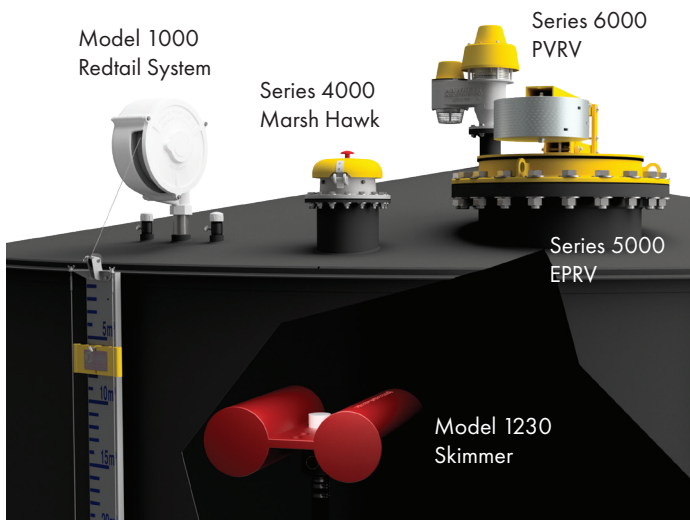
Grade	Flag
1/8"	0
1/4"	1

Tank gaskets are flat-face and sized to match the relevant standard. 1/8" thick gaskets stock in most materials, 1/4" thick gaskets stocked in FKM (Viton).

Refer to the *Venting - Connection Accessories* brochure for more information on bolt kits, gaskets as well as mounting options available for the Series 4000 Marsh Hawk.

Examples	
Model 500 Lock Down Hatch, 8" API 12B/F, Sweet Service w/ Gr 5 Bolt Kit and Neoprene Tank Gasket	LDH-580-00 & VCBK-0805-0 + VCGA-0800-0
Model 500 Lock Down Hatch, 8" API 12B/F, Sour Service w/ Gr 8 Bolt Kit and Thick Viton Tank Gasket	LDH-581-00 & VCBK-0808-0 + VCGA-0801-1
Model 500 Lock Down Hatch, A" API 12B/F, Sour Service, Severe Sour Coating w/ Stainless Bolt Kit and Viton Tank Gasket	LDH-581-10 & VCBK-080G-0 + VCGA-0801-0

RELATED PRODUCTS



The Model 500 Lockdown Hatch is just one Hawkeye's Tankage Product lines, which also include:

Vapor Control

- Series 4000 Marsh Hawk TRV
- Series 5000 EPRV
- Series 6000 PVRV

Mechanical Level Indication

- Model 1000 Redtail Dry Seal Zero Emission Level Gauging Systems
- Model 1230 Floating Skimmer

