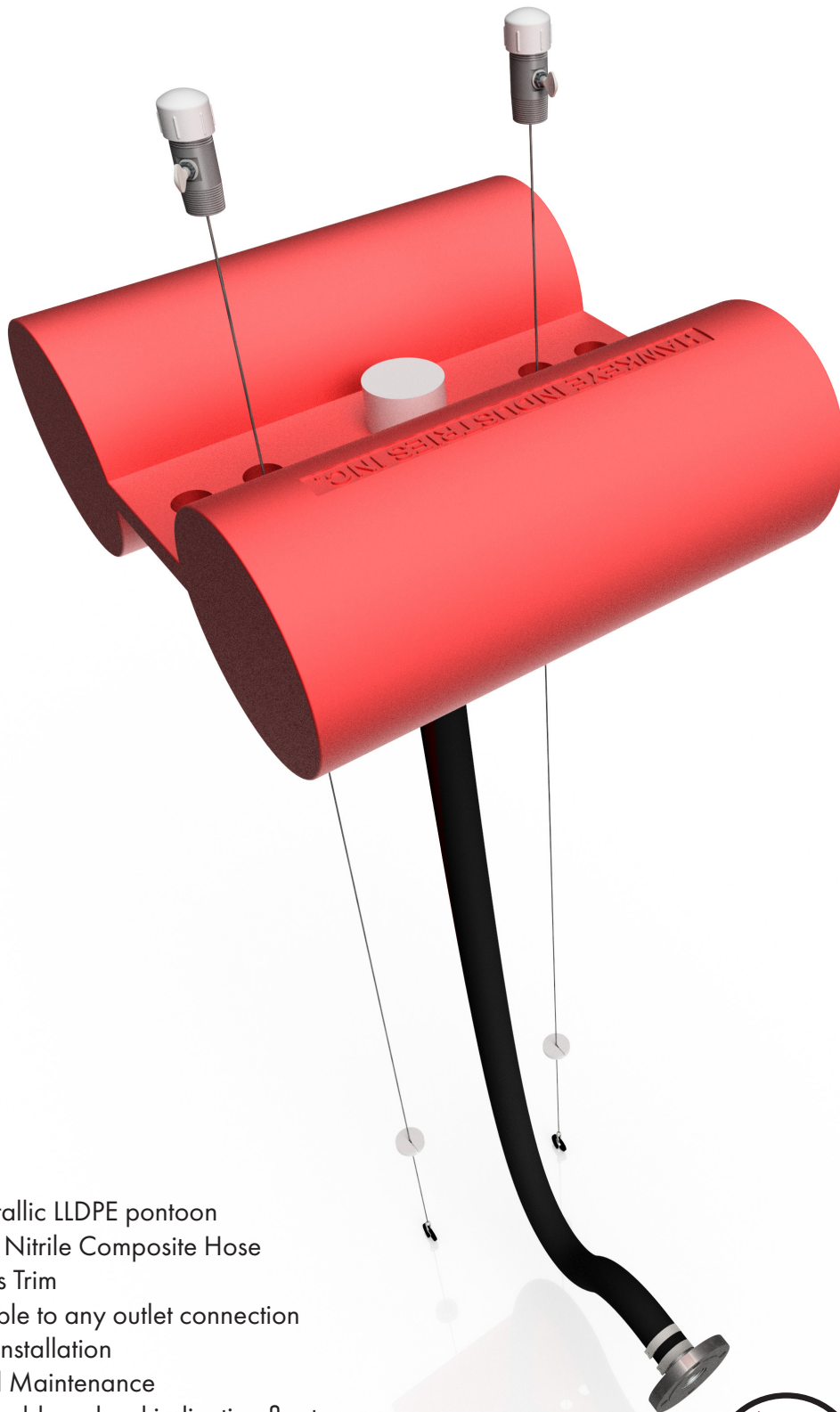


TANKAGE | SKIMMER

# MODEL 1230 NONMETALLIC SKIMMER



## Features

- Nonmetallic LLDPE pontoon
- Rugged Nitrile Composite Hose
- Stainless Trim
- Adaptable to any outlet connection
- Simple Installation
- Minimal Maintenance
- Configurable as level indication float



## FEATURES

The Model 1230 Skimmer is a floating skim solution that follows the liquid surface ensuring that product is always drawn from the top of the liquid column.

### Nonmetallic LLDPE Pontoon

- Hollow LLDPE Pontoon provides superb buoyancy.
- LLDPE Pontoon is non abrasive and will not damage interior coatings or components.
- Pontoon offers superior resistance to acids and high-chloride contents.

### Flexible Rugged Nitrile Composite Hose

- Nitrile with Fabric and Wire Helix Matrix hose provides superior chemical and temperature performance to PVC alternatives
- Flexible hose allows skimmer placement where convenient, not dictated by booms or standpipes.
- Suitable for harsh skimming applications including sour service, high chloride solutions and many more.

### Stainless Trim

- Metallic components in contact with fluid are stainless steel for chemical compatibility, including hose clamps, fasteners and nipples.

### Outlet Flexibility

- Hose comes standard with 2-1/2 NPT connection, which can be adapted to fit most any threaded or flanged internal tank outlet connection.

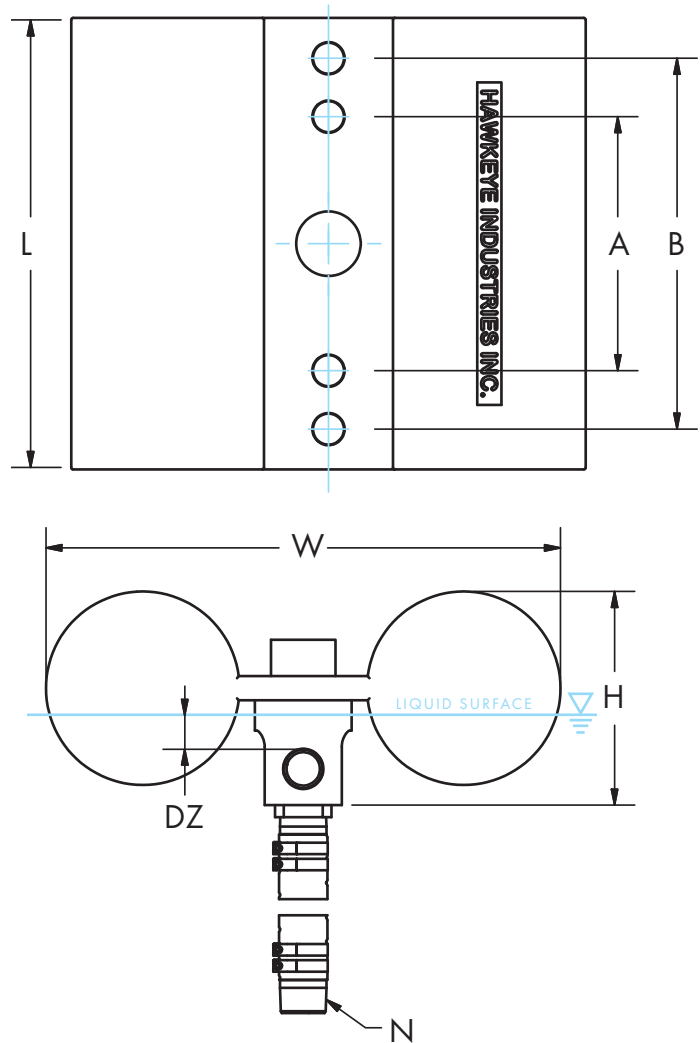
### Skimmer As Float

- The skimmer system, if appropriately positioned in the tank, can be used as a replacement for the float in a mechanical level indication system. See Skimmer As Float for tank preparation requirements.

## OPERATING SPECIFICATIONS

Skimmer Type	Floating
Maximum Hose Length	30 m [ 100 ft]
Hose Inside Diameter	63.5 mm [2.5 in]
Hose Vacuum Rating	737 mmHg [29 inHg]
Process Connection	2-1/2 NPT Standard
Process Temperature (Float)	-40°C to 65°C [-40°C to 150°F]
Process Temperature (Hose)	-40°C to 93°C [-40°C to 200°F]
Ambient Temperature	-40°C to 65°C [-40°C to 150°F]

## DIMENSIONS



Dimension	mm [in]
A Inner Guides	401 [15.8]
B Outer Guides	584 [23.0]
L Length	706 [27.8]
W Width	813 [32.0]
H Height	337 [13.3]
N Connection Size	2-1/2 NPT
Wt Weight	19 kg [42 lb] (no hose)
Wh Hose Weight	2.1 kg / m [1.4 lb/ft]

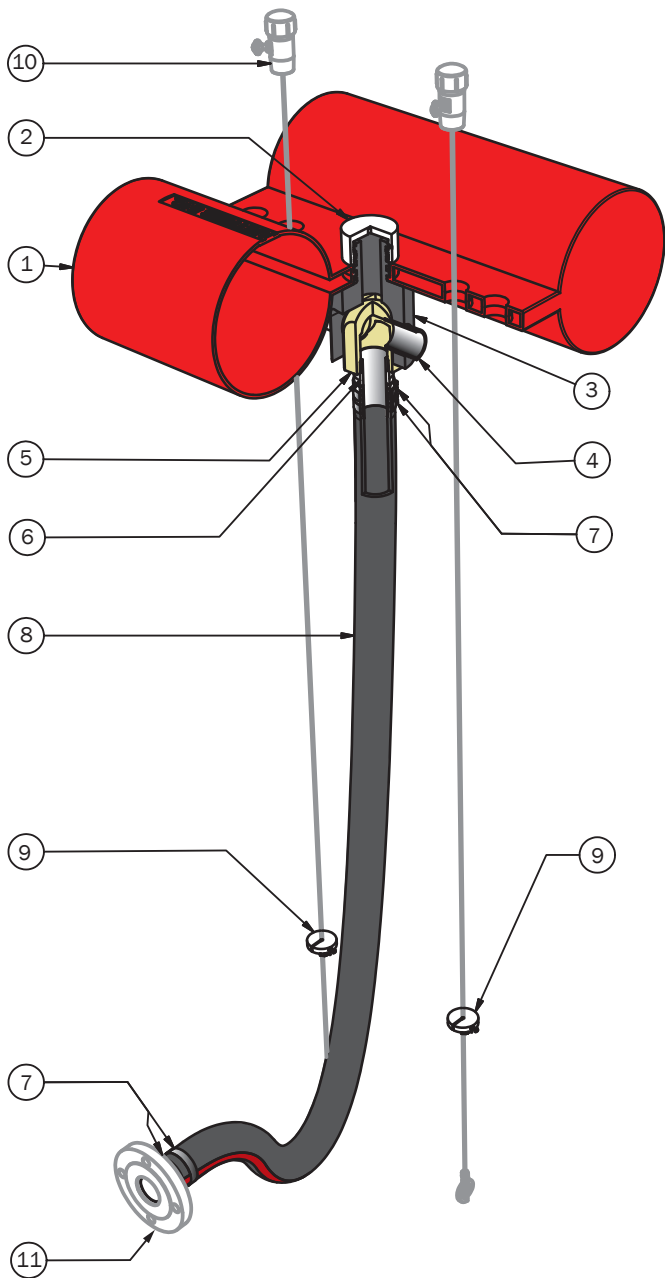
## DEAD ZONE

The dead zone (DZ) is the depth between the liquid surface and top of siphon inlet. It increases with lighter surface densities and longer hose lengths. Below are estimates of dead zone in Water and Oil.

Estimated Dead Zone (DZ)	
Water (SG = 1.0)	Oil (SG = 0.7)
38.1 mm [1.5 in]	72.3 mm [ 2.9 in]



## PARTS LIST



Item	P/N	Part Name	Material
1	SKM-10	Pontoon	LLDPE
2	SKM-80	Siphon Cap	Acetal
3	SKM-225	Pivoting Hub	HDPE
4	SKM-240	Inlet (x2)	304L SS
5	SKM-210	Pivoting Siphon	Nylon
6	SKM-230	Hose Barb Adptr. (x2)	304L SS
7	SKM-101	Hose Clamp (x4)	316 SS
8	SKM-45	Hose	Nitrile, Fibre
9	SKM-70	Cable Guide Stop w/ Clamp (x2)	Acetal / 316 SS
10	FGK	Float Guide Kit (Opt)	
11		Outlet Connection	Varies

## HOSE SIZING

The following dimensions are required when determining the length of hose required for a tank skimming application.

- Tank height and diameter
- Location of skimmer within tank
- Location of outlet connection

## HOSE BUOYANCY

Skimmer hose is positive or neutrally buoyant in applications where the water density is SG=1 or higher, and the oil density is SG=0.75 or less. Consult the chart below for the net force on the pontoon (in lb / ft of hose) for a particular tank / skim Specific Gravity combination.

**Net Buoyancy (lbf) per ft of hose.**

Tank Contents (Brine) Density (SG)

	0.80	0.85	0.90	0.95	1.00	1.05	1.10	1.15	1.20
0.50	-0.002	0.014	0.029	0.045	0.061	0.076	0.092	0.107	0.123
0.55	-0.013	0.003	0.019	0.034	0.050	0.065	0.081	0.097	0.112
0.60	-0.024	-0.008	0.008	0.023	0.039	0.055	0.070	0.086	0.101
0.65	-0.034	-0.019	-0.003	0.012	0.028	0.044	0.059	0.075	0.091
0.70	-0.045	-0.030	-0.014	0.002	0.017	0.033	0.048	0.064	0.080
0.75	-0.056	-0.041	-0.025	-0.009	0.006	0.022	0.038	0.053	0.069
0.80	-0.067	-0.051	-0.036	-0.020	-0.005	0.011	0.027	0.042	0.058
0.85	-0.078	-0.062	-0.047	-0.031	-0.015	0.000	0.016	0.032	0.047
0.90	-0.089	-0.073	-0.057	-0.042	-0.026	-0.011	0.005	0.021	0.036
0.95	-0.100	-0.084	-0.068	-0.053	-0.037	-0.021	-0.006	0.010	0.025
1.00	-0.110	-0.095	-0.079	-0.064	-0.048	-0.032	-0.017	-0.001	0.015
1.05	-0.121	-0.106	-0.090	-0.074	-0.059	-0.043	-0.028	-0.012	0.004
1.10	-0.132	-0.116	-0.101	-0.085	-0.070	-0.054	-0.038	-0.023	-0.007
1.20	-0.154	-0.138	-0.123	-0.107	-0.091	-0.076	-0.060	-0.044	-0.029

Values < 0 reflect downward force (negative buoyancy). In most cases neutral to moderate negative buoyancy is preferred.

## MODEL 1200 SKIMMER UPGRADE

An upgrade kit is available to retrofit a legacy Model 1200 skimmer to the Model 1230 for improved durability and chemical compatibility. Contact your sales representative for more information.

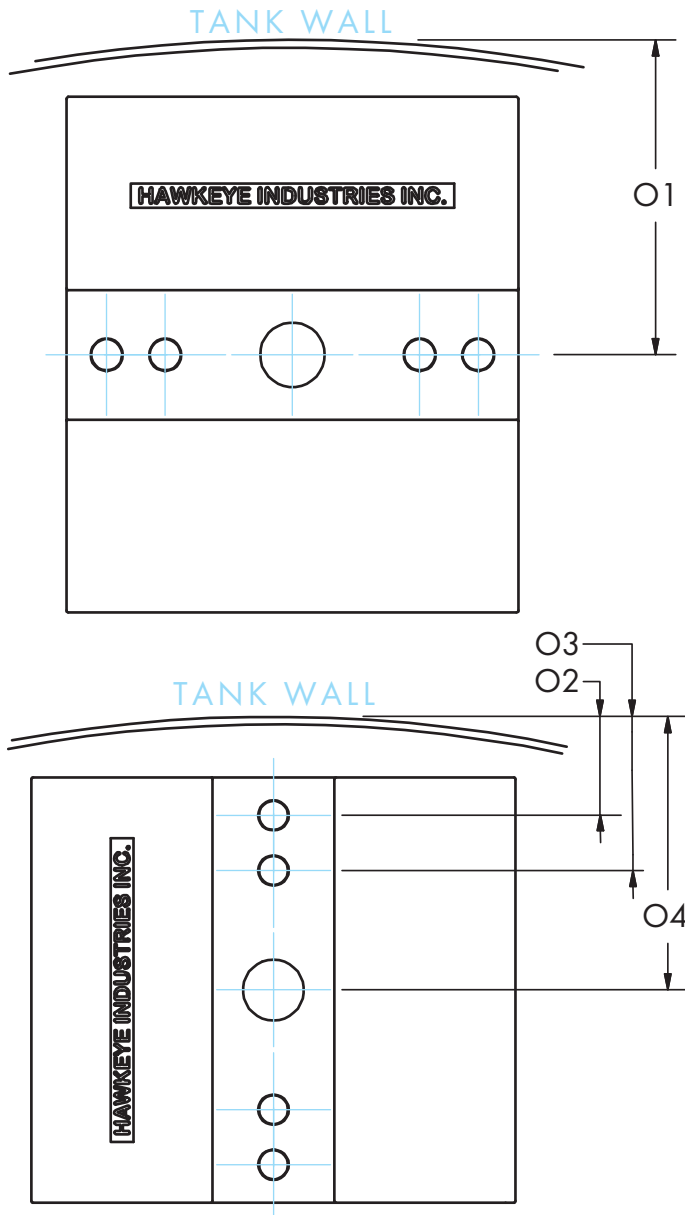
## PACKAGING

Skimmer systems are palletized and, depending on order quantity and preference, may be shipped with hose installed, or hose separately. For specific ship dimensions, consult your sales representative.



## SKIMMER AS FLOAT

The Model 1230 Skimmer can be used as a float for a mechanical level indication system by completing the through hole in the SKM-80 Siphon Cap, and connecting the 1/4 NF cable stud from the level indication system. To ensure interference-free operation, the connection points for the level indication system and optional float guide should be adjusted to match one of the following sets dimensions.



Dimension	mm [in]
O1 Skimmer-as-Float (SAF) Horiz Offset	483 [19.0]
O2 SAF Outer Guide Offset	152 [6.0]
O3 SAF Inner Guide Offset	245 [9.6]
O4 SAF Gauge Head Offset	445 [17.5]

## SYSTEM INFORMATION

### These items are included in the Model 1230 Skimmer System.

- Skimmer Pontoon
- Pivoting Siphon with Indicator Cap,
- Hose Clamps and Rings
- Float Guide Stops and Cable Clamps
- Hose (length specified by customer)
- 2-1/2 Male NPT Outlet Connection

## SYSTEM OPTIONS & ACCESSORIES

### Outlet Flanges

If the outlet connection differs from the standard 2-1/2 NPT, an adapter can be supplied to accommodate other connections such as ANSI 150# Flanges.

### Float Guide Kit

Used to keep the pontoon in place and aligned to keep the siphon inlet submerged and reduce the risk of damage to tank components. Float guide stops can be installed on the guide cables to limit the vertical travel of the skimmer, eliminating interference with heaters or other equipment inside the tank

### Skimmer as Float

The skimmer assembly can be used in place of a level indication float. This can be factory supplied or retrofitted in the field.

## ORDERING INFORMATION

### Model 1230 Skimmer

1. Specify "Model 1230 Skimmer" or "Model 1230 Skimmer Upgrade"
2. Specify required length of hose or provide hose sizing information listed above
3. Specify outlet connection
4. Specify if a float guide kit is required or already exists in the application, and supply tank height



2110 70 Ave NW  
Edmonton, AB, Canada T6P 1N6  
Toll Free: (800) 910-4295  
Phone: (780) 490-4295  
Fax: (780) 490-4290  
www.hawk-eye.com