

This document contains the recommended procedures for installing a Hawkeye Guided or Wraparound Indicator. This document is part of a series covering the entire process of level indication system installation. Read and understand this document prior to starting installation.

TANK PREP. GAUGE BOARD **INDICATOR** FLOAT & GUIDES GAUGE HEAD ACCESSORIES

NOTE: INFORMATION REQUIRED FOR SUCCESSFUL INSTALLATION

CAUTION: INFORMATION IF NOT FOLLOWED MAY RESULT IN DAMAGE OR INSTALLATION FAILURE

WARNING: INFORMATION IF NOT FOLLOWED MAY RESULT IN INJURY OR DEATH

TOOLS

- » 7/16 wrench
- » 7/16 Socket and driver
- » Crescent wrench
- » Thread Lubricant / Anti-seize

PARTS REQUIRED

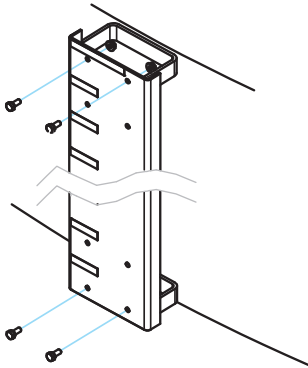
- » Guided Indicator Kit OR
- » Wraparound Indicator Kit

NOTE: ENSURE THAT THE GAUGE BOARD HAS BEEN INSTALLED ON THE TANK PRIOR TO STARTING THIS PROCEDURE.

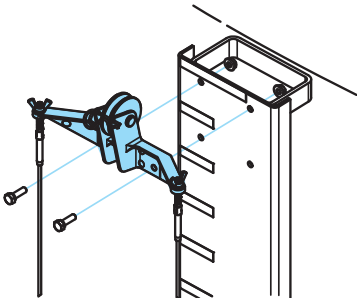
PART A: GUIDED INDICATOR

- 1** Remove the bolts from the top and bottom gauge board brackets, if already installed.

NOTE: ENSURE THE GAUGE BOARD IS STILL SECURED TO AT LEAST ONE OTHER GAUGE BOARD BRACKET DURING THE FOLLOWING STEPS.

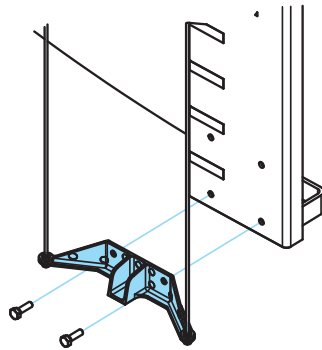
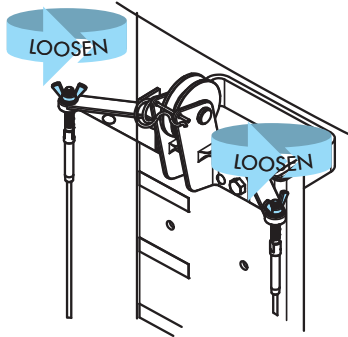


- 2** Align the holes in the top roller guide bracket to the top set of holes of the gauge board, and bolt through the gauge board to the gauge board bracket.

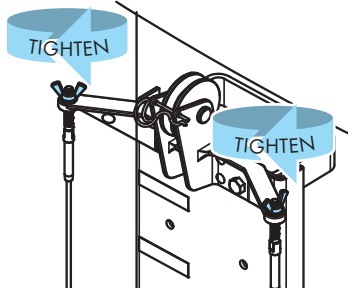


- 3** Repeat for the bottom guide bracket. If necessary,

loosen the wing nuts on the top roller guide bracket to provide slack in the indicator guide cables.



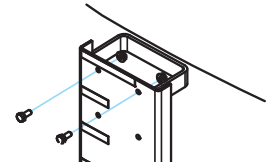
- 4** Once top and bottom brackets are secured, tighten the indicator guide cables to remove any slack.



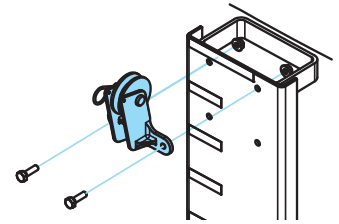
PART B: WRAPAROUND INDICATOR

- 1** Remove the bolts from the top gauge board mounting bracket, if already installed.

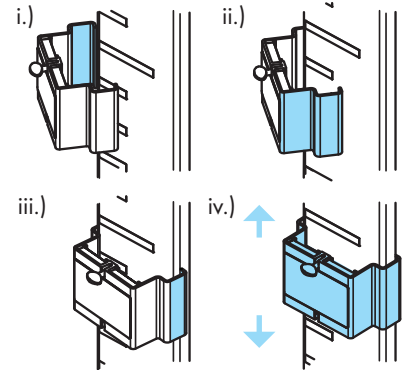
NOTE: ENSURE THE GAUGE BOARD IS STILL SECURED TO AT LEAST ONE OTHER GAUGE BOARD BRACKET DURING THE FOLLOWING STEPS.



- 2** Install the top roller pulley.



- 3** Install the wraparound indicator by
 - i.) hook one ear to a corner to the gauge board,
 - ii.) slightly bending the opposite indicator leg outward,
 - iii.) sliding over the opposite gauge board corner and
 - iv.) ensuring the indicator is free to move up and down.



COMPLETE CONTINUE TO FLOAT & GUIDE INSTALLATION

Hawkeye Industries Inc.
2110 70 Ave NW
Edmonton, AB, Canada T6P 1N6

Toll Free: (800) 910-4295

Phone: (780) 490-4295

Fax: (780) 490-4290

www.hawk-eye.com

Contents © Hawkeye Industries Inc. This document is uncontrolled, and is subject to change without notice. Please refer to www.hawk-eye.com for the most up-to-date product information.

Printed in Canada.