

This document contains the recommended procedures for installing a Hawkeye Gauge Board. This document is part of a series covering the entire process of level indication system installation. Read and understand this document prior to starting installation.

TANK PREP. **GAUGE BOARD** INDICATOR FLOAT & GUIDES GAUGE HEAD ACCESSORIES

NOTE: INFORMATION REQUIRED FOR SUCCESSFUL INSTALLATION

CAUTION: INFORMATION IF NOT FOLLOWED MAY RESULT IN DAMAGE OR INSTALLATION FAILURE

WARNING: INFORMATION IF NOT FOLLOWED MAY RESULT IN INJURY OR DEATH

TOOLS

- » Drill with 17/64 or 9/32 Bit
- » 7/16 wrench
- » 7/16 Socket and driver

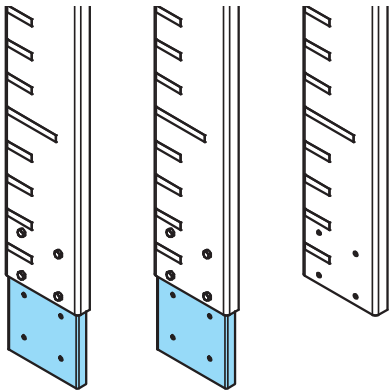
PARTS REQUIRED

- Gauge Boards
- » Gauge board segments
- » Gauge board hardware

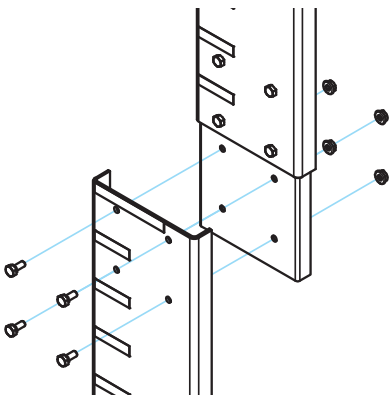
NOTE: ENSURE THAT "PART C" IN THE TANK PREPARATION INSTRUCTIONS HAS BEEN COMPLETED BEFORE STARTING GAUGE BOARD INSTALLATION.

PART A: SEGMENT ASSEMBLY

- 1** Note the order of the gauge boards segments by the graduations. The upper most segments will have the splice already installed at the bottom of the gauge board segment.

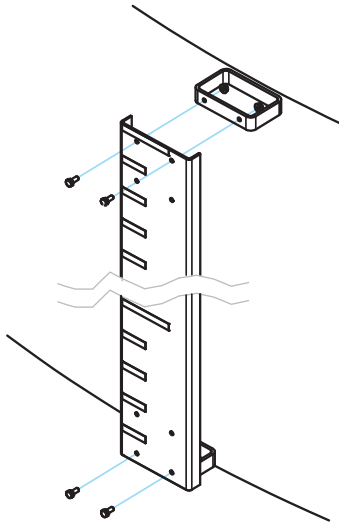


- 2** Bolt the segments together using the supplied hardware.

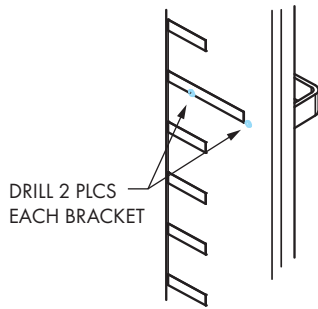


PART B: MOUNTING TO TANK

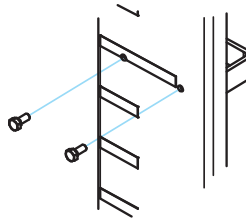
- 1** Temporarily attach the gauge board to the top and bottom brackets installed in Part C of the tank preparation instructions.



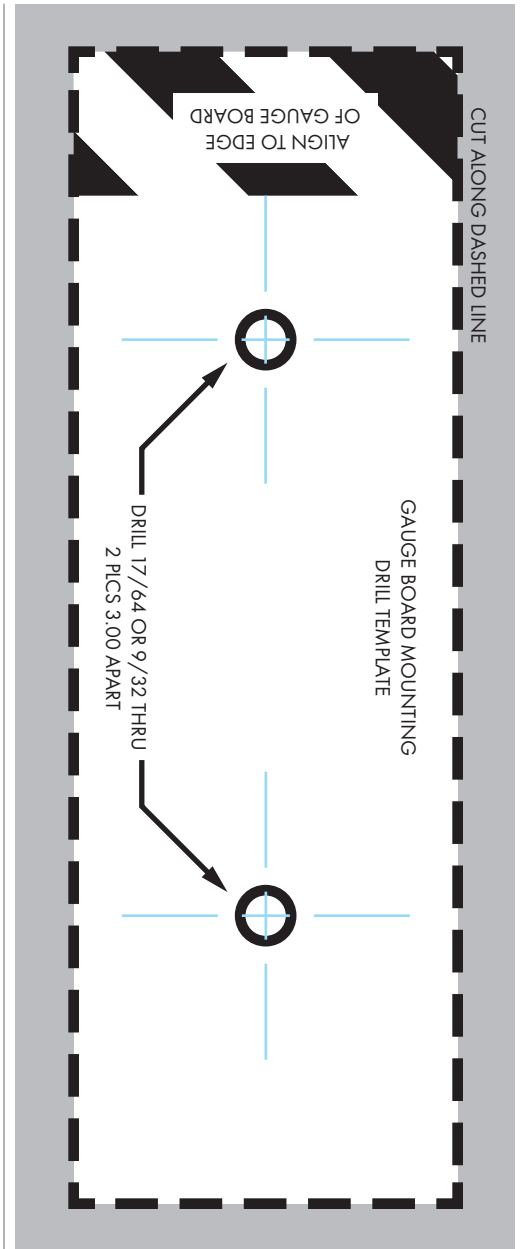
- 2** At every gauge board bracket between the top and bottom, drill two holes through the gauge board using the supplied template.



- 3** Bolt the gauge board through the drilled holes and into the bracket using 1/4 NC hex cap screws and 1/4 NC Serrated Flange Nuts.



COMPLETE
CONTINUE TO INDICATOR INSTALLATION



Hawkeye Industries Inc.
2110 70 Ave NW
Edmonton, AB, Canada T6P 1N6
Toll Free: (800) 910-4295
Phone: (780) 490-4295
Fax: (780) 490-4290
www.hawk-eye.com

Contents © Hawkeye Industries Inc. This document is uncontrolled, and is subject to change without notice. Please refer to www.hawk-eye.com for the most up-to-date product information.

Printed in Canada.