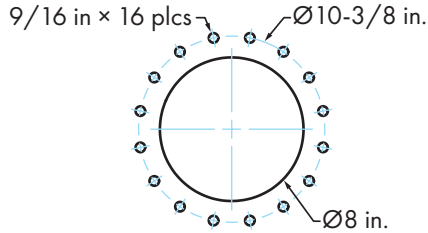


# SERIES 4000 MARSH HAWK

This short guide illustrates mounting considerations for the Series 4000 Marsh Hawk.

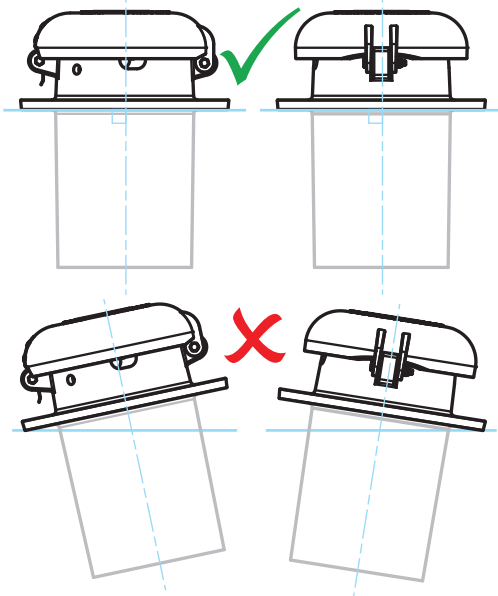
## CONNECTION

The Series 4000 Marsh Hawk requires an 8" API Thief Hatch Connection, as specified in API 12F Figure 1.



## OPERATING ANGLE

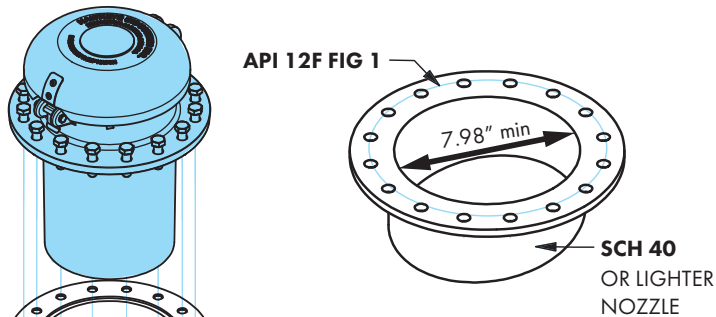
For best long-term sealing performance, ensure the Series 4000 Marsh Hawk is installed and operated in a vertical manner. If mounting directly to a sloped roof, consider an angled riser to ensure a vertical orientation.



## FLAT ROOFS / NOZZLE

For tanks with a flat roof, or level factory nozzle connection, simply drop the Series 4000 Marsh Hawk in place.

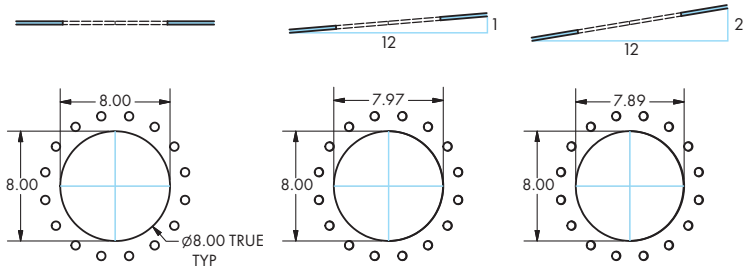
Take note of the minimum hole opening for a flat roof or nozzle installation to ensure the Series 4000 Marsh Hawk will fit.



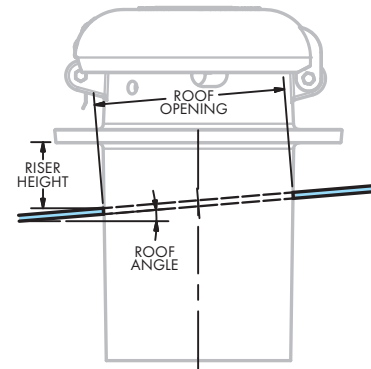
## SLOPED ROOFS

A pitched bolt-on riser can ensure level installation of the Series 4000 Marsh Hawk for best operation.

To account for the ovality of a hole in a sloped roof, varying bolt-on riser heights are available to ensure the Series 4000 Marsh Hawk will fit.



Consult the figure and chart below to determine what bolt-on riser height is required for your specific combination of Roof Opening and Roof Angle.



Roof Opening (TRUE)	7-3/4	7-7/8	8	8-1/8
Roof Angle [°]	Riser Height (Tall Edge) [in]			
0	10	10	NONE	NONE
4.76 (12:1)	10	10	4	4
9.46 (12:2)	10	10	10	4

Contents © Hawkeye Industries Inc. This document is uncontrolled, and is subject to change without notice. Please refer to [www.hawk-eye.com](http://www.hawk-eye.com) for the most up-to-date product information.