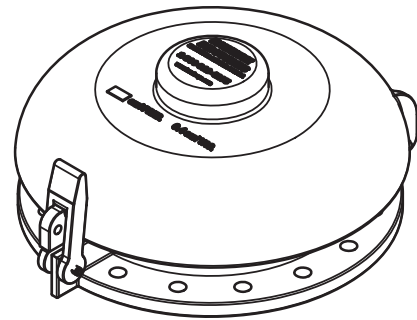




# Model 200 and 300 TVTH

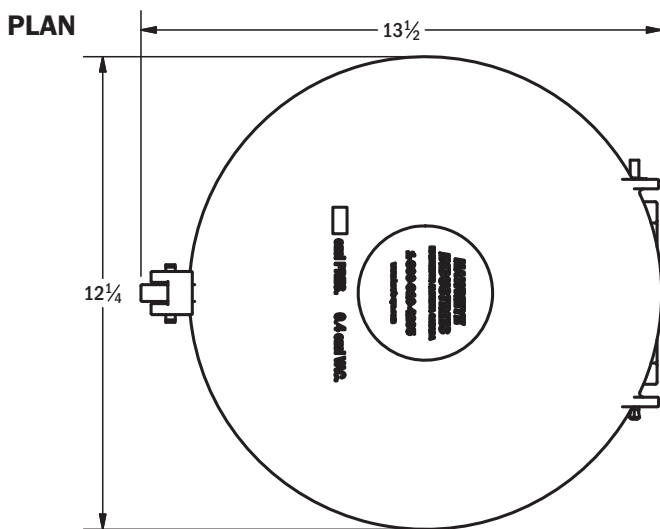


This document provides additional detail regarding material, dimensions and flow rates for the TVTH 200 and 300 series Tank Vent and Thief Hatch.

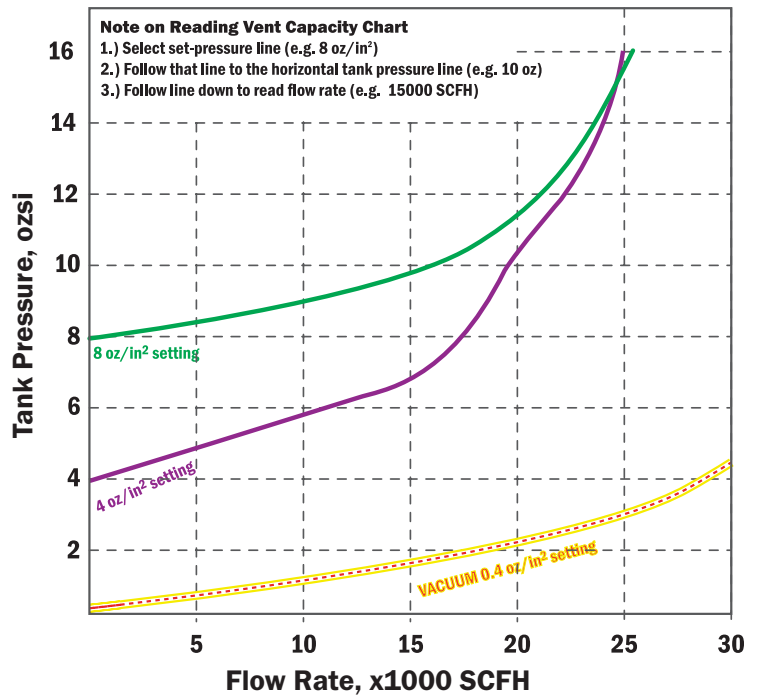
## Contents

- A.) Hatch Dimensions
- B.) Empirical Flow Rates
- C.) Parts List

### A.) Hatch Dimensions

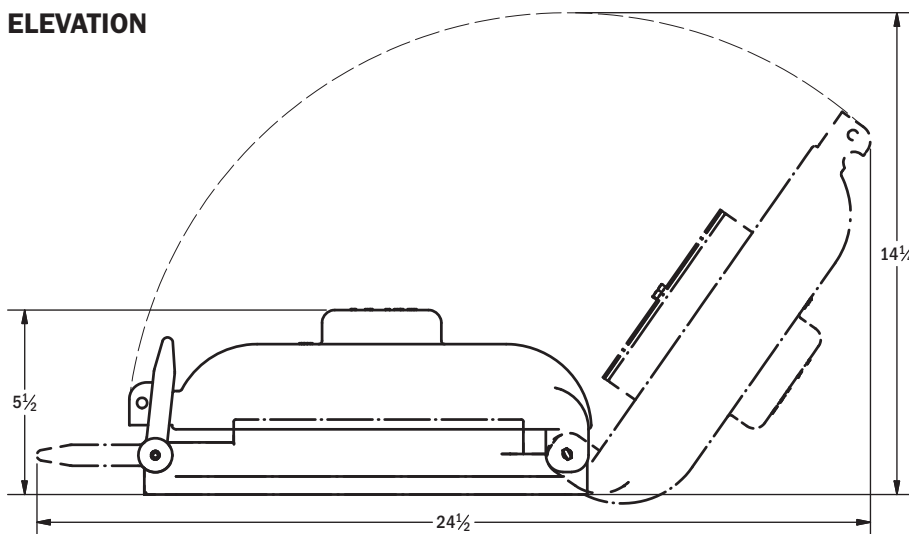


### B.) Empirical Flow Rates

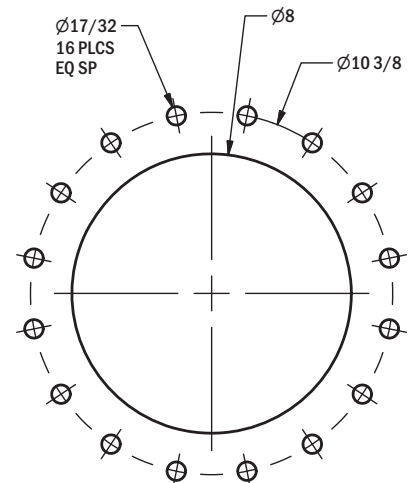


This chart shows flow rate as a function of back pressure for a number of pressure relief settings, and a fixed 0.4 ozsi vacuum relief setting. These values are provided as conservative estimates of flow rate, and deviation from these values outside of a laboratory setting is expected.

### ELEVATION



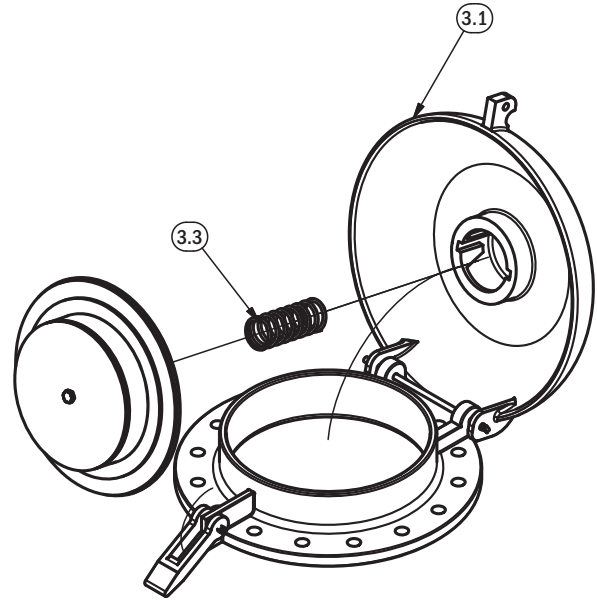
### BOLT PATTERN



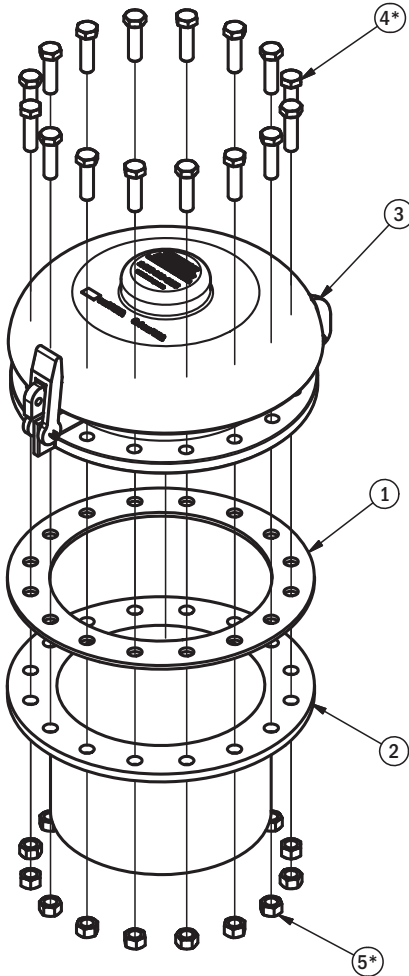
## C.) Parts List

Item	Qty	Name	Material	Notes
1	1	Flange Gasket	Neoprene	
2	1	Tank Mounting Flange		Supplied by others
3	1	TVTH Hatch		
3.1	1	Body / Lid	ZLD108 Aluminum	
3.2	1	Pressure / Vacuum Pallet Subassembly		
3.2.1	1	Pallet - M/C	ZLD108 Aluminum	
3.2.2	1	Gasket Retaining Screw	AISI 304	
3.2.3	1	Vacuum Plate	1060 AL	
3.2.4	1	Vacuum Seal	Polyisoprene	Viton, Aflas Optional
3.2.5	1	Vacuum Disc	1060 AL	
3.2.6	1	Pressure Cage Seal	Polyisoprene	Viton, Aflas Optional
3.2.7	1	Vacuum Spring	AISI 304	Inconel Optional
3.2.8	1	Vacuum Spring Guide	6061 AL	
3.2.9	1	Vacuum Spring Retaining Washer	Carbon Steel	
3.2.10	1	Vacuum Spring Screw	AISI 304	
3.3	1	Pressure Spring	AISI 304	Inconel Optional
4	16	Installation Bolt	Carbon Steel, Std	Sold Separately
5	16	Installation Nut	Carbon Steel, Std	Sold Separately

## TVTH Assembly



## TVTH Installation



## Pressure / Vacuum Pallet Subassembly

