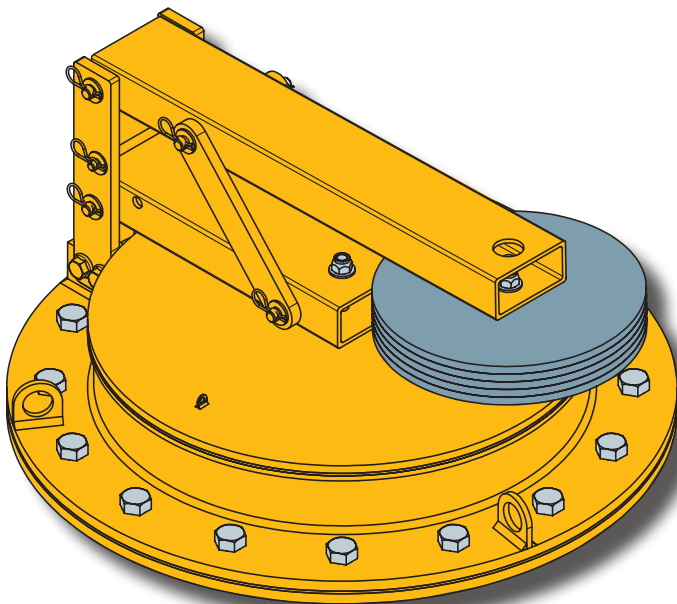
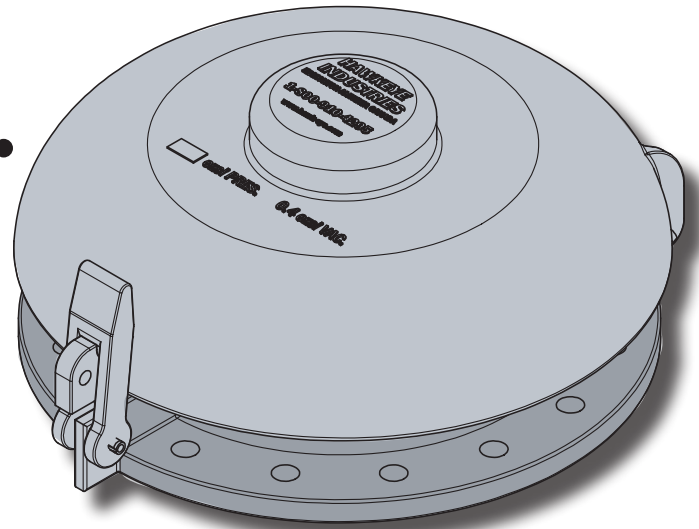


# Are you bidding to win?

**Your competitors are.** In this challenging economy, fabricators and manufacturers need to know that they are bidding the best possible value to their customers. Rest easy knowing Hawkeye Industries's *Tank Vent Thief Hatch (TVTH)* and *Emergency Pressure Relief Vent (EPRV)* provide **superior functionality** and **lower cost** than vents from the US or Overseas, and are **inventoried in Edmonton**.

## TVTH 200 & 300

- Cast aluminum Tank Vent Thief Hatch.
- Available in Sweet (200) and Sour Service Trim (300).
- **Typically hundreds of dollars less than US-made alternatives.**
- **Stocked in Edmonton** and ready to ship in 4, 8, 12 or 16 ozsi Pressure relief settings, Sweet or Sour.



## Series 5000 EPRV

- 20" and 24" API 650 and ANSI B16.5 Bolt patterns available.
- Compact, compound lever design.
- Exceeds API 2000 leak requirements.
- Bubble-tight beyond 90% set pressure -- far exceeds competitor models.
- **Typically hundreds to thousands of dollars less than US-made alternatives.**
- **Components Stocked in Edmonton.** EPRV's are assembled to order, and shipped in a matter of days, not weeks.

## Quote the Hawkeye Value Advantage and get the Job.

All of Hawkeye's tank venting equipment is **engineered and manufactured in Canada** to operate in our harsh, challenging conditions with minimal installation and maintenance issues. Look like a hero to your customer by **saving time and money** by including Hawkeye's **Superior Quality, Short-Lead time and Less Expensive** Tank Venting products in your bids.

