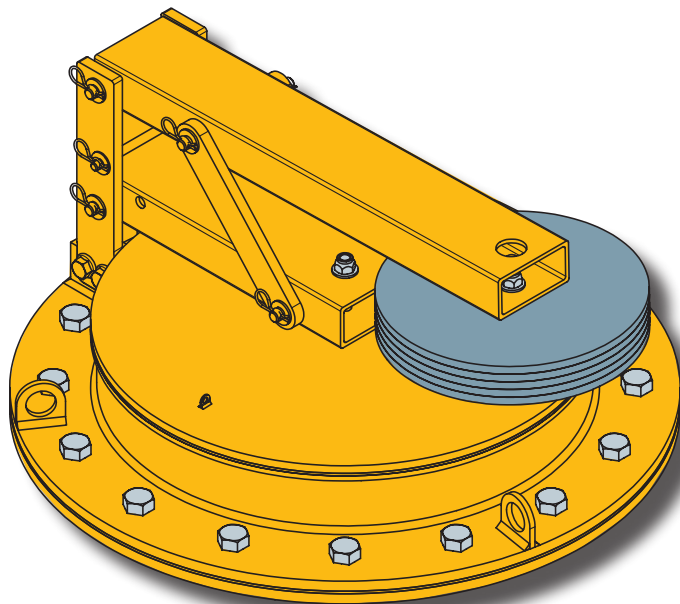
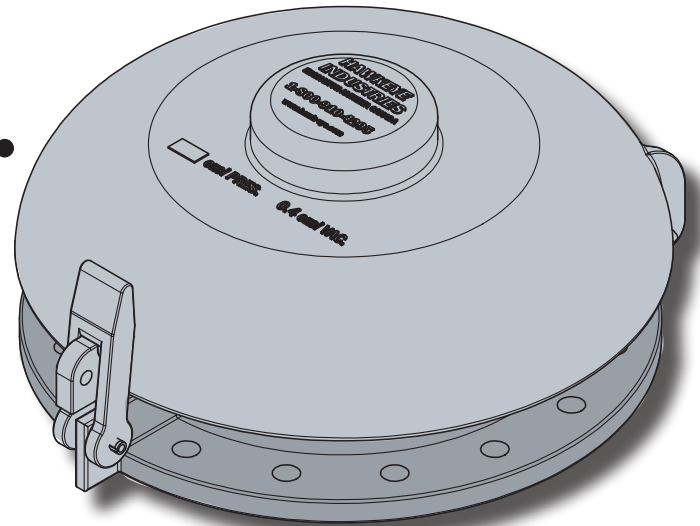


Are your tanks venting money?

In this challenging economy, tank owners and operators need to know that they aren't throwing money away with expensive, ineffective, long-lead-time venting products. Rest easy knowing Hawkeye Industries's *Tank Vent Thief Hatch (TVTH)* and *Emergency Pressure Relief Vent (EPRV)* provide **superior functionality** and **lower cost** than vents from the US or Overseas, and are **inventoried in Edmonton**.

TVTH 200 & 300

- Cast aluminum Tank Vent Thief Hatch.
- Available in Sweet (200) and Sour Service Trim (300).
- **Typically hundreds of dollars less than US-made alternatives.**
- **Stocked in Edmonton** and ready to ship in 4, 8, 12 or 16 ozsi Pressure relief settings, Sweet or Sour.



Series 5000 EPRV

- 20" and 24" API 650 and ANSI B16.5 Bolt patterns available.
- Compact, compound lever design.
- Exceeds API 2000 leak requirements.
- Bubble-tight beyond 90% set pressure -- far exceeds competitor models.
- **Typically hundreds to thousands of dollars less than US-made alternatives.**
- **Components Stocked in Edmonton.** EPRV's are assembled to order, and shipped in a matter of days, not weeks.

Spec in the Hawkeye Value Advantage to save Time and Money.

All of Hawkeye's tank venting equipment is **engineered and manufactured in Canada** to operate in our harsh, challenging conditions with minimal installation and maintenance issues. **Saving time and money** by specifying Hawkeye's **Superior Quality, Short-Lead time and Less Expensive** Tank Venting products as part of your tank requirements.