



# Roadside Gauge Head

This document contains the recommended procedures for installing a Hawkeye Industries Roadside Gauge Head.

## Requirements

Ensure that the tank is prepared to accept a Roadside Gauge Head (per Tank Preparation Instructions,) and has been fitted with a float and float guide kit.

NOTE: Do not remove tape from the indicator spool until instructed to do so.

## Contents

A.) Installing Roadside Gauge Head

## Tools

- ▶ Pipe Wrench
- ▶ 1/2" Wrench
- ▶ Cresnet Wrench
- ▶ Thread Sealant
- ▶ Cable Cutter

## Parts Required

QTY	Part
▶ 1	Roadside Gauge Head

## A.) Installing Roadside Gauge Head

**1.)**

Pull float cable from the 1½" opening on the gauge head and feed it through the 1½" coupling down into the tank. Place thread sealant on the 1½" NPT threads of the gauge head.

**2.)**

Thread the gauge into the coupling. Tighten the gauge with a pipe wrench so that the open side of the gauge is aligned with the gauge board and faces away from the board.

**3.)**

Unravel the rest of the float cable, if it has not already done so on its own, into the tank and remove the nut and washer from the float cable stud. Feed the stud and cable through the center hole of the float and replace the nut and washer. Tighten the nut until there are three threads showing.

**4.)**

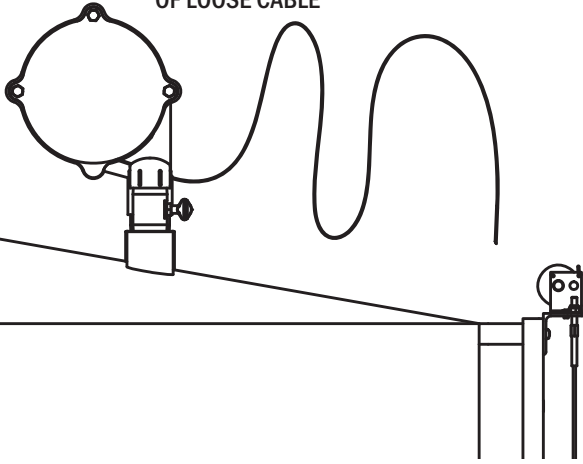
Rotate the indicator spool counter clockwise until you feel the float barely lift off the floor of the tank.

**5.)**

Rotate the open reel 3 revolutions clockwise.

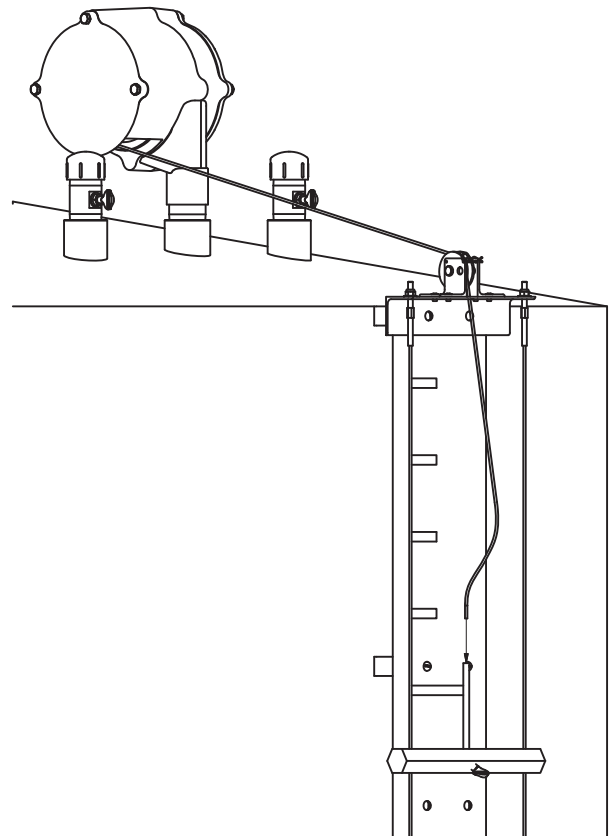
6.)

PULL OUT THE 3 REVOLUTIONS OF LOOSE CABLE



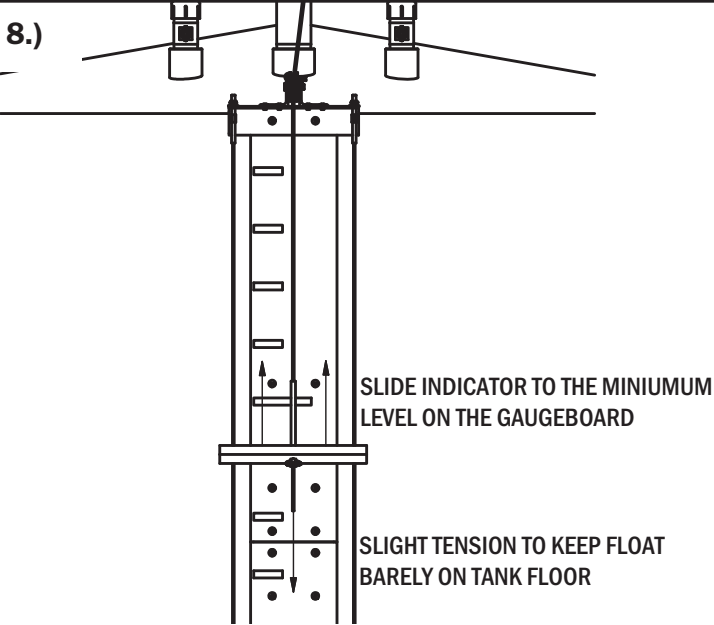
Remove the tape from the open reel and pull out the 3 revolutions of loose cable (approximately 5ft)

7.)



Pass the cable over the indicator cable pulley and through the hole in the top bracket of the indicator guide assembly. Feed the cable through the center hole of the indicator.

8.)

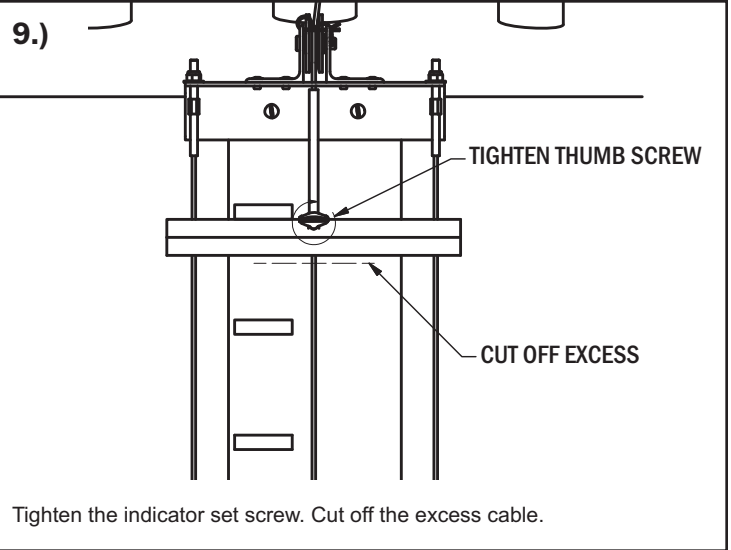


SLIDE INDICATOR TO THE MINIMUM LEVEL ON THE GAUGEBOARD

SLIGHT TENSION TO KEEP FLOAT BARELY ON TANK FLOOR

With slight tension on the cable to keep the float barely off the tank floor, slide the indicator over the cable to the minimum level on the gauge board.

9.)



TIGHTEN THUMB SCREW

CUT OFF EXCESS

Tighten the indicator set screw. Cut off the excess cable.

**Roadside Installaton Complete  
Proceed to Goshawk Installation (if required)**