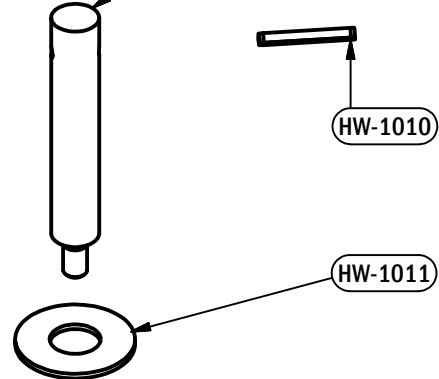


PRE-AUG 2010 INTERNALS SHOWN IN PRE-AUG 2010 SPIDER CAGE (SPIDER CAGE SHOWN IN SECTION FOR CLARITY)

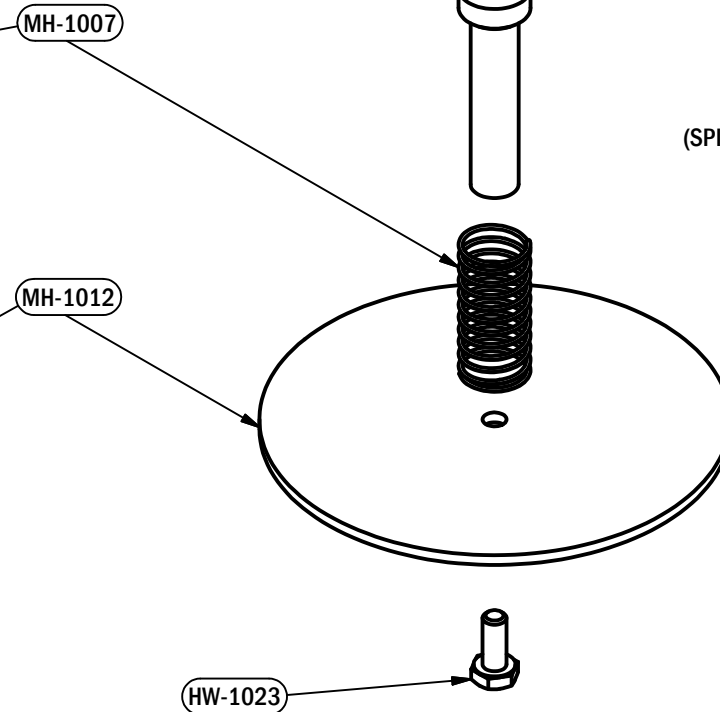
**SPIDER CAGE VACUUM PLATE
INTERNALS
(PRE-AUG 2010)**

MH-1006 (pre-Aug 2010)
NOTE: 1/4 NC MALE THREAD,
CROSS HOLE FOR SPRING PIN



**SPIDER CAGE VACUUM PLATE
INTERNALS
(AUG 2010 ONWARD)**

MH-1006 (Aug 2010 ONWARD)
NOTE: 1/4 NC FEMALE
THREAD, SHOULDER FOR
RETAINING SPRING.



AUG 2010-ONWARDS INTERNALS SHOWN IN PRE-AUG 2010 SPIDER CAGE (SPIDER CAGE SHOWN IN SECTION FOR CLARITY)

THE NEW VACUUM PLATE INTERNALS ARE INTERCHANGABLE FOR INTERNALS SOLD PRIOR TO AUGUST 2010.

- THESE PARTS:
- MH-1006 (PRE-AUG-2010)
 - HW-1010
 - HW-1011
 - MH-1009
 - HW-1007

- ARE REPLACED BY:
- MH-1006 (AUG 2010 ONWARD)
 - HW-1023

FOR SPIDER CAGES SOLD PRIOR TO AUGUST 2010, IT IS RECOMMENDED THAT THE ENTIRE SPIDER CAGE ASSEMBLY, INCLUDING MH-1008 CAST PALETTE BE REPLACED RATHER THAN REFURBISHED WITH NEW PARTS TO ENSURE AN ACCURATE VACUUM RELIEF SET POINT.