



Model 375 LS Gauge Head

This document contains the recommended procedures for installing a Hawkeye Industries Model 375 LS Gauge Head.

Requirements

Ensure that the tank is prepared to accept a Model 375 Gauge Head (per Tank Preparation Instructions,) and has been fitted with a float and float guide kit.

Tools

- ▶ Pipe Wrench
- ▶ Thread Sealant
- ▶ Crescent Wrench
- ▶ Cable Cutter

Parts Required

QTY	Part
▶ 1	Model 375 LS Gauge Head w/ Float Cable Assembly for specified tank height

Contents

- A.) Installing Model 375LS Gauge Head

A.) Installing Model 375LS Gauge Head

1.)

CLAMP OR TAPE IN PLACE

Secure the cut end of the float cable in position so that it does not slide back through the gauge head.

2.)

Feed the stud end of the float cable through the gauge head coupling down into the tank.

3.)

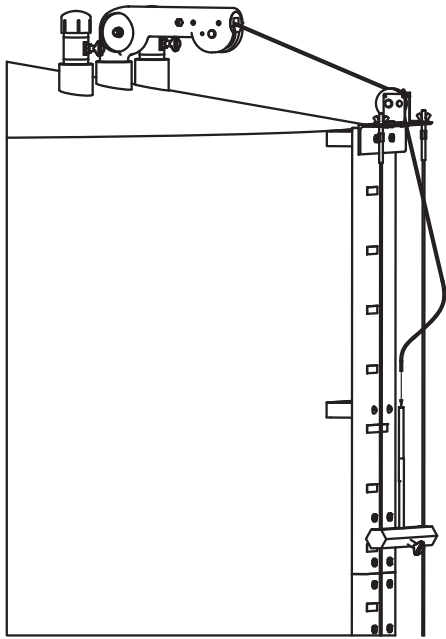
APPLY THREAD SEALANT

Apply thread sealant to the 1½ NPT threads of the gauge head and tighten it into the 1½ NPT coupling on the tank with a pipe wrench. Ensure that the open side of the gauge is aligned with the gauge board and faces towards the board.

4.)

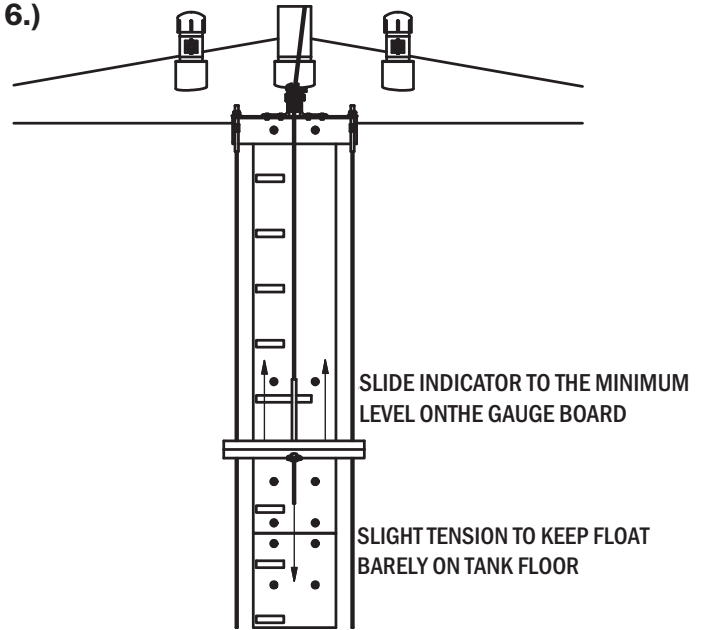
Feed the stud and cable through the center hole of the float and replace the nut and washer. Tighten the nut until there are three threads showing.

5.)



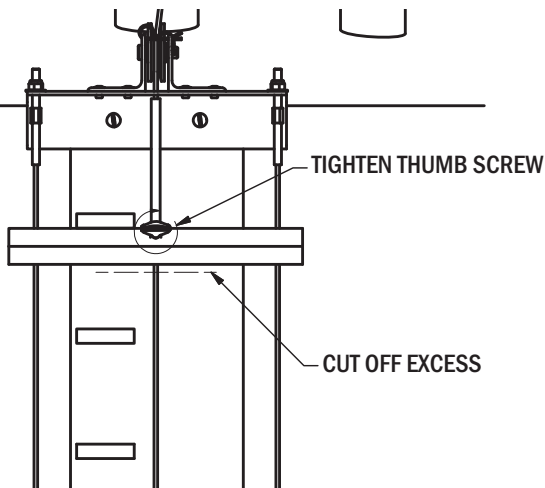
Pass the cut end of the cable over the indicator cable pulley and through the hole in the top bracket of the indicator guide assembly. Feed the cable through the center hole of the indicator.

6.)



With slight tension on the cable to keep the float barely off the tank floor, slide the indicator over the cable to the minimum level on the gauge board.

7.)



Tighten the indicator set screw. Cut off the excess cable.