



# Gauge Board + Indicator & Guide Kit Installation

This document provides the procedures, dimensions and parts list for the installation of a Hawkeye Industries Inc. Gauge board and Indicator & Guide Kit.

## Requirements

Ensure that the tank has been prepared to accept a gauge board + Indicator & Guide kit. Refer to the Tank Preparation instructions for details on modifying a tank to accept a Hawkeye Gauge Board.

## Contents

- A.) Gauge Board
- B.) Indicator & Guide Kit.
- C.) Gauge Board with Magnetic Clips
- D.) Determining # of Magnetic Clips Required

## Tools

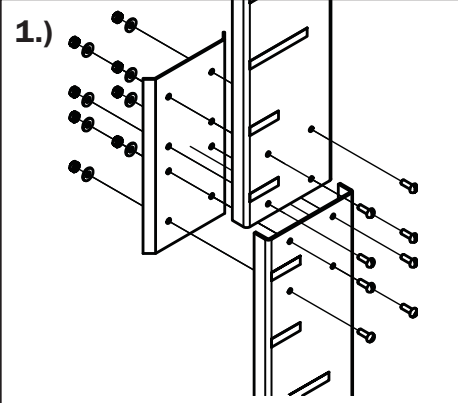
- ▶ Drill with 17/64 or 9/32 bit
- ▶ Robertson Screw Driver
- ▶ Allen Key
- ▶ Tape Measure
- ▶ 7/16 wrench
- ▶ Crescent wrench
- ▶ Thread Lubricant (KOPR-KOTE recommended)

## Parts Required

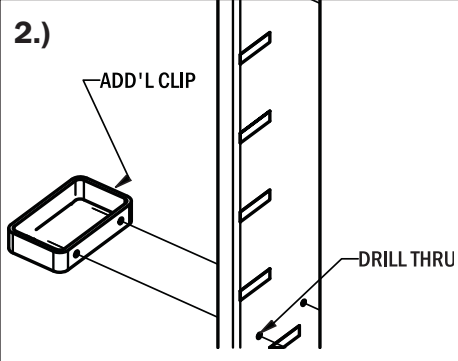
QTY	Part
▶ varies	Gauge Board sections c/w decals & splices (if req)
▶ varies	Indicator & Guide Kit

## A.) Gauge Board

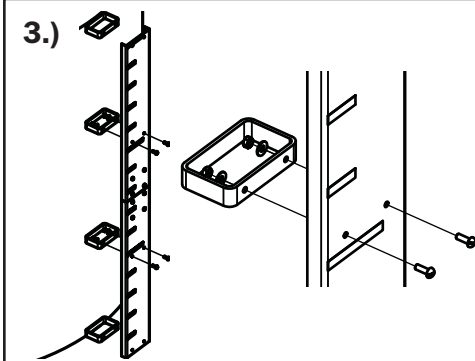
**Note! For single-section Gauge Boards start at step 2.)**  
**Note! When using Magnetic Gauge Board Clips, proceed to Part C.**

1.) 

Note the order of the gauge boards by the decals and connect each piece together using the supplied splices and the 1/4 in. X 3/4 in. machine screws, nuts, and washers.

2.) 

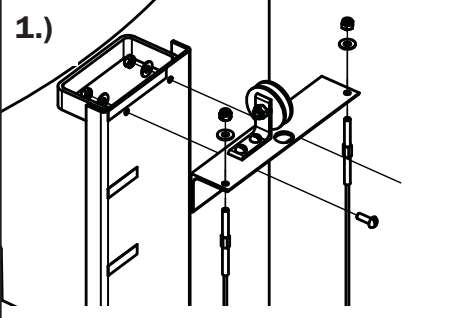
Drill 17/64 (or 9/32) holes in the gauge board aligned with the additional gauge board clips that have been installed onto the tank (if required).

3.) 

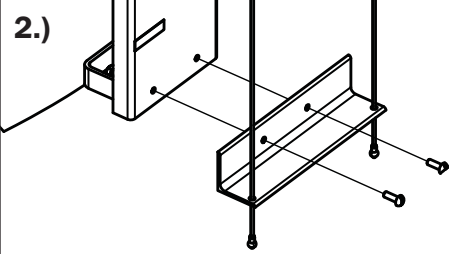
Attach the gauge board to the clips using 1/4 in. X 3/4 in. machine screws, washers and nuts, leaving the top and bottom clips free for installation of the indicator and guide kit. If the indicator and guide kit is not required then secure all clips with hardware as stated above.

**Gauge Board Installation Complete. Proceed to B.)**

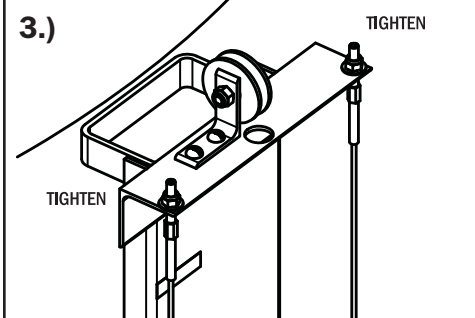
## B.) Indicator and Guide Kit

1.) 

Secure the top bracket with the indicator cable pulley to the existing holes, 0.75 in. from the top of the gauge board and the corresponding gauge board clip using the 1/4 in. X 3/4 in. machine screws, nuts, and washers.

2.) 

Secure the bottom bracket to the existing holes, 0.75 in. from the bottom of the gauge board and corresponding gauge board clip using the 1/4 in. X 3/4 in. machine screws, nuts, and washers.

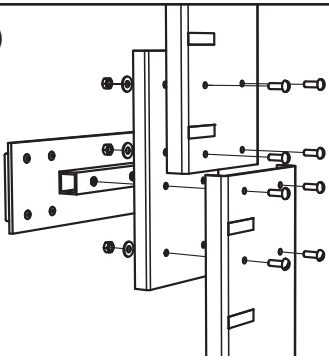
3.) 

Apply KOPR-KOTE to threads and tighten both cable studs on the top bracket until guide cables are taut.

**Installation Complete. Proceed to Float Guide Kit or Gauge Head Installation**

## C.) Gauge Board & Indicator Kit with Magnetic Clips

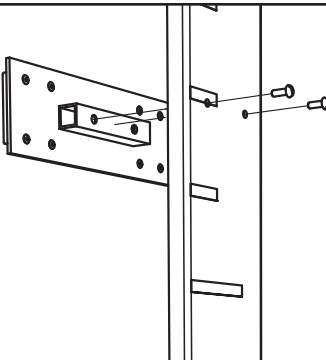
1.)



Note the order of the gauge boards by the decals and connect each piece together using the supplied splices and the 1/4 in. X 3/4 in. machine screws, nuts, and washers.

Omit the nuts and washers on the top pair of bolts of the lower gauge board, and fasten directly to the magnetic gauge board clips.

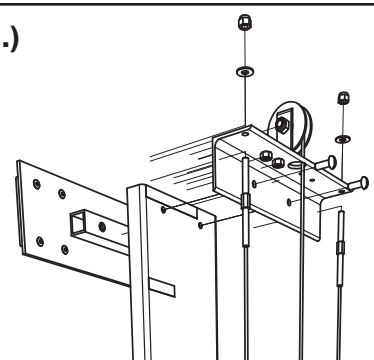
2.)



At the midpoint of each gauge board section, drill two 17/64 (or 9/32) holes, 3" apart symmetric about the long axis of the board.

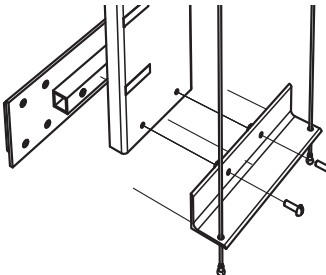
Use the supplied template below.

3.)



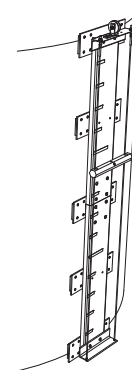
Secure the top bracket with the indicator cable pulley to the existing holes, 0.75 in. from the top of the gauge board and the corresponding gauge board clip using the 1/4 in. X 3/4 in. machine screws, nuts, and washers.

4.)



Secure the bottom bracket to the existing holes, 0.75 in. from the bottom of the gauge board and corresponding gauge board clip using the 1/4 in. X 3/4 in. machine screws, nuts, and washers.

5.)



Install the complete gauge board and indicator assembly on the tank. Align and move as required to match gauge head.

**Installation Complete. Proceed to Float Guide Kit or Gauge Head Installation**

## D.) Required Number of Magnetic Clips

The following chart outlines the minimum required number of magnetic gauge board clips recommended by Hawkeye. For sizes not listed here, please consult **Technical Bulletin TB-1211-GB** for calculating the required number of clips.



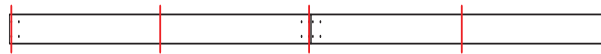
8 Ft Gauge Board (1x 8ft section) - 3 magnetic clips required



10 Ft Gauge Board (1x 10ft section) - 3 magnetic clips required



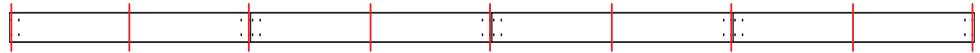
16 Ft Gauge Board (2x 8ft sections) - 5 magnetic clips required



20 Ft Gauge Board (2x 10ft section) - 5 magnetic clips required



24 Ft Gauge Board (3x 8ft section) - 7 magnetic clips required



32 Ft Gauge Board (4x 8ft section) - 9 magnetic clips required

DRILL TEMPLATE

DRILL 17/64 OR 9/32 THROUGH  
2 PLACES 3.00 APART

Cut Along Solid Lines