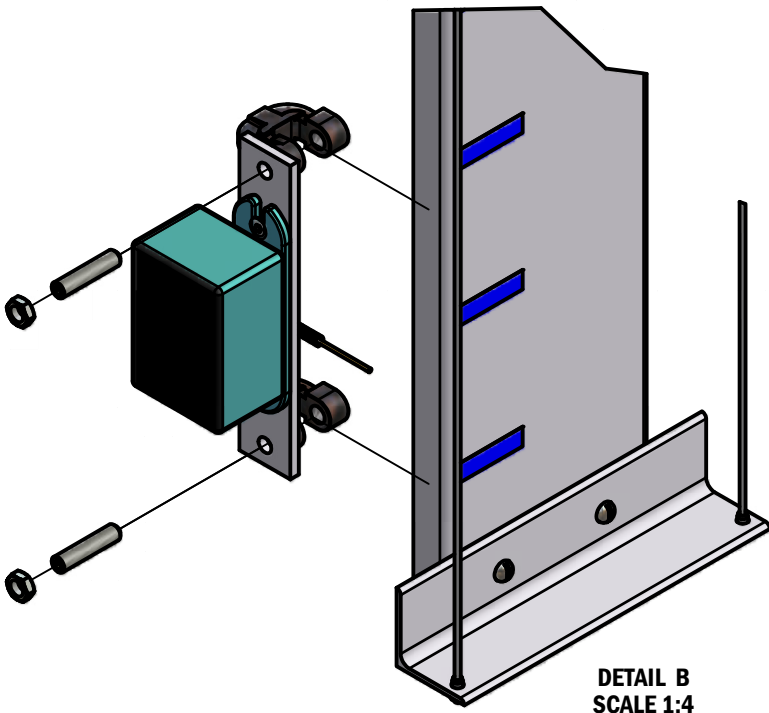


LOW LEVEL LIMIT SWITCH INTALLATION LOCATION  
(MUST BE ON RIGHT HAND SIDE OF GAUGE BOARD)



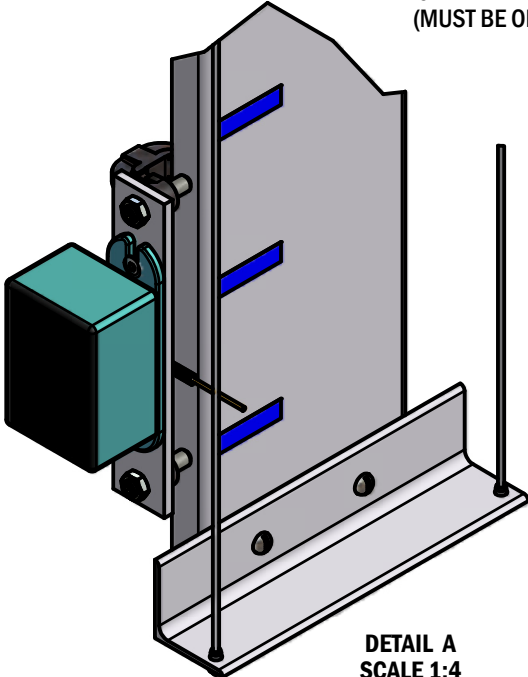
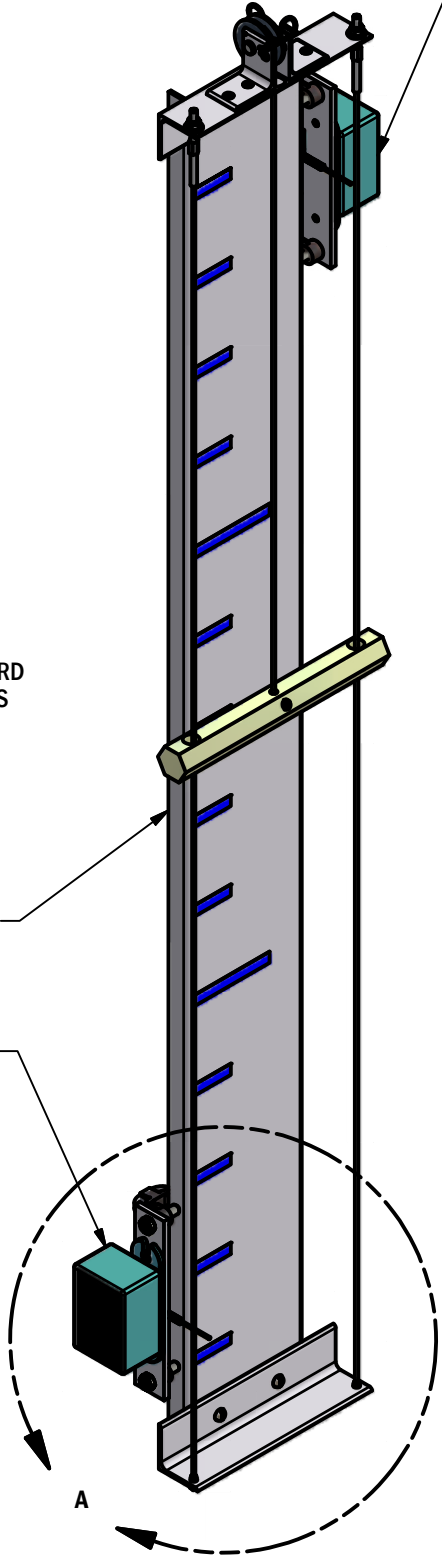
DETAIL B  
SCALE 1:4

**INSTALLATION**

1. FIND DESIRED LOCATION FOR LIMIT SWITCH ON HAWKEYE INDUSTRIES GAUGE BOARD
2. PLACE SWITCH CLAMPS OVER FLANGE OF GAUGE BOARD AND TIGHTEN SET SCREWS
3. TIGHTEN JAM NUTS TO LOCK SET SCREWS IN PLACE
4. INSTALL ELECTRIC CONNECTION TO SWITCH AND TEST

HAWKEYE INDUSTRIES INC. GAUGE BOARD

HIGH LEVEL LIMIT SWITCH INSTALLATION LOCATION  
(MUST BE ON LEFT HAND SIDE OF GAUGE BOARD)



DETAIL A  
SCALE 1:4



DRAWING TITLE  
Electric Limit Switch Installation  
DRAWING #  
SW-EX-AR-INST