



# Severe Service Cable Termination

This document contains the recommended procedures for using the Hawkeye Severe Service Cable Termination, including a list of tools and additional parts required.

## Contents

There are two ways to use the Severe Service Cable Termination:

A.) Straight Through

B.) Loop

## Tools

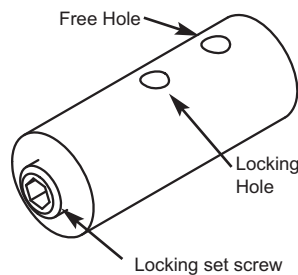
- ▶ 1/8 Allen Key

## Parts Required

QTY	Part
▶ 1	Severe Service Cable Termination
▶	3/32 Severe Service Cable
▶	Severe Service Float Guide Kit, Float Cable Assembly and Redtail or Roadside Severe Service Gauge Head

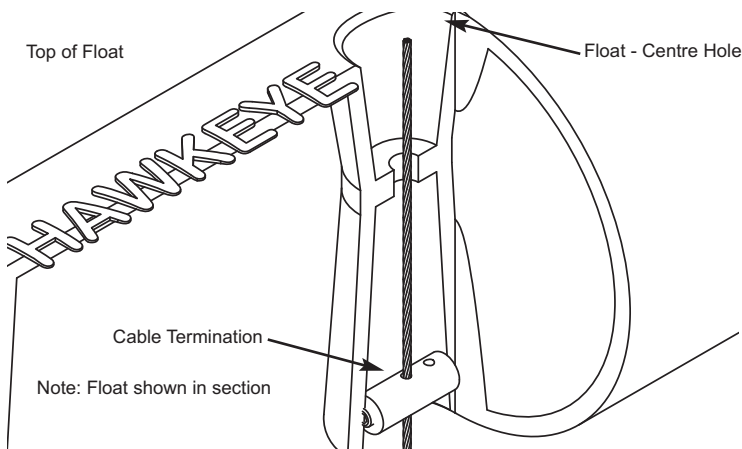
## Severe Service Cable Termination

The severe service cable termination replaces both the threaded stud and strap fork in Hawkeye Products. It has two through holes; the outer one allows free movement of the cable and the centre one which locks the cable using the set screw.



### A.) Straight Through

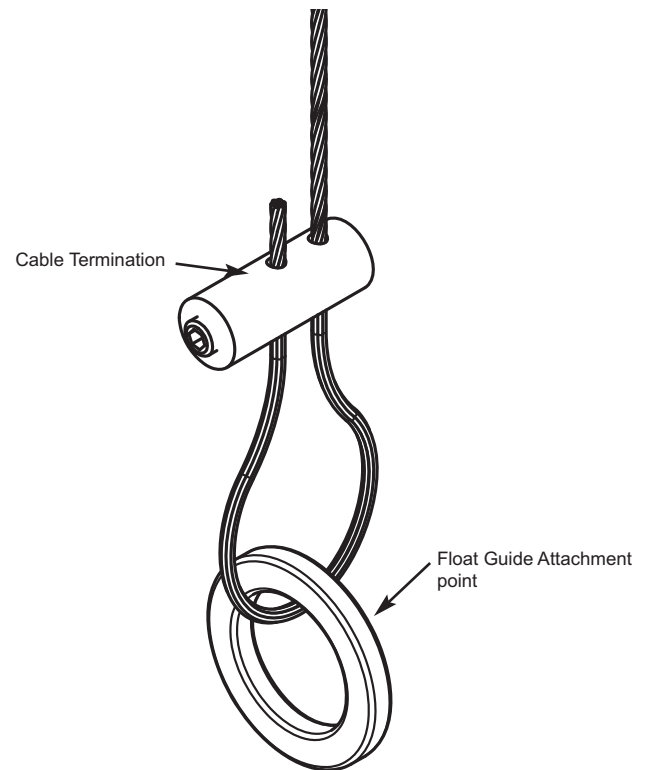
The straight through cable termination is used to secure the float to the end of the float cable assembly used in the Sparrow Hawk and Model 750 / 750 LS gauge heads, as well as the Redtail, and Roadside gauge head assembly.



- 1.) Run the 3/32 cable through the float centre hole from the top side of the down through.
- 2.) Run the cable through the locking hole on the cable termination.
- 3.) Tighten the set screw using the 1/8 allen key to lock the cable in place
- 4.) Insert the cable and termination assembly into the bottom of the float centre hole.

### B.) Loop

The loop connection is used to fix the 3/32 cable to the float guide cable anchors at the bottom of the tank.



- 1.) Run 3/32 cable through the free hole on the severe service cable termination
- 2.) Loop the cable through the float guide cable attachment point at the bottom of the tank
- 3.) Run the cable back up through the locking hole on the cable termination.
- 4.) Tighten the set screw using the 1/8 allen key to lock the cable in place