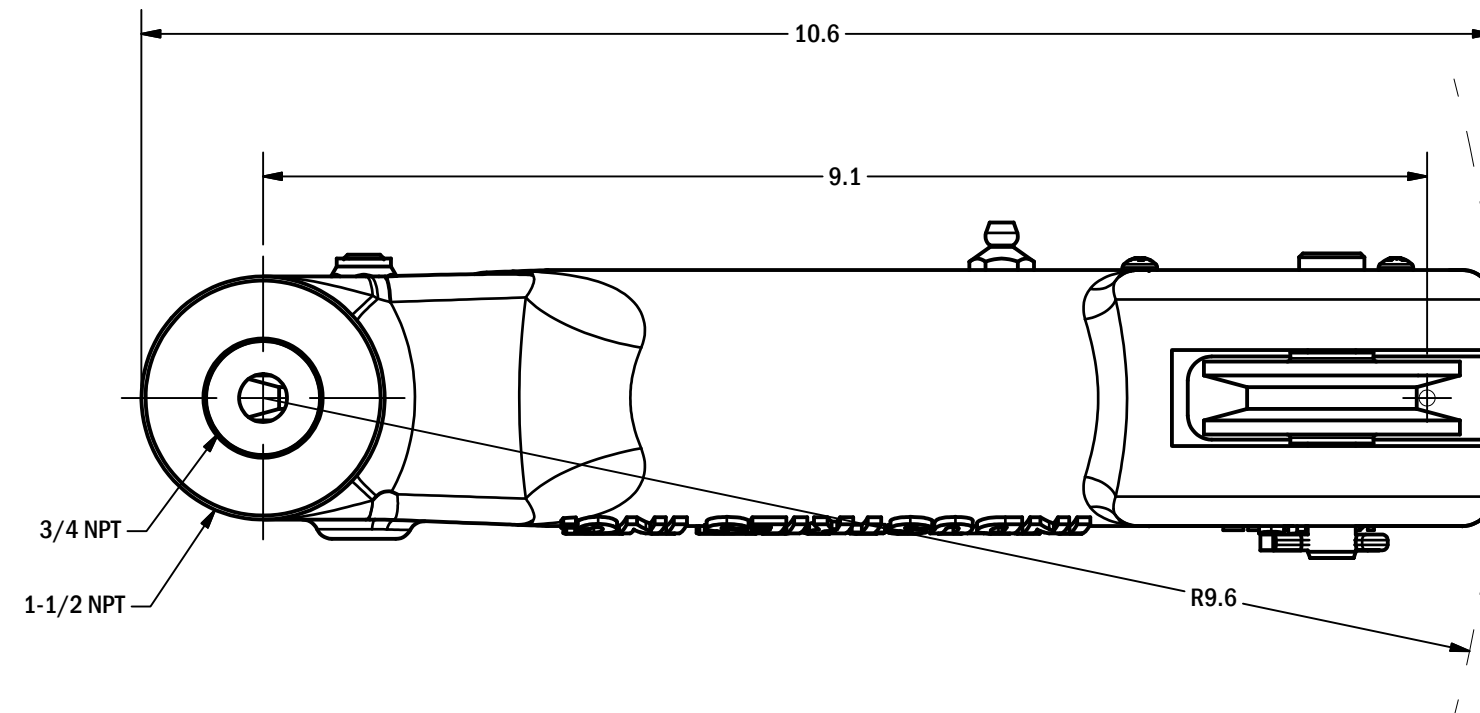
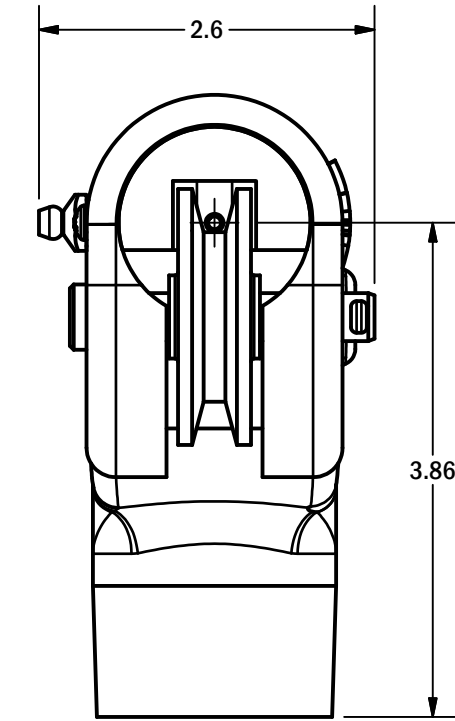
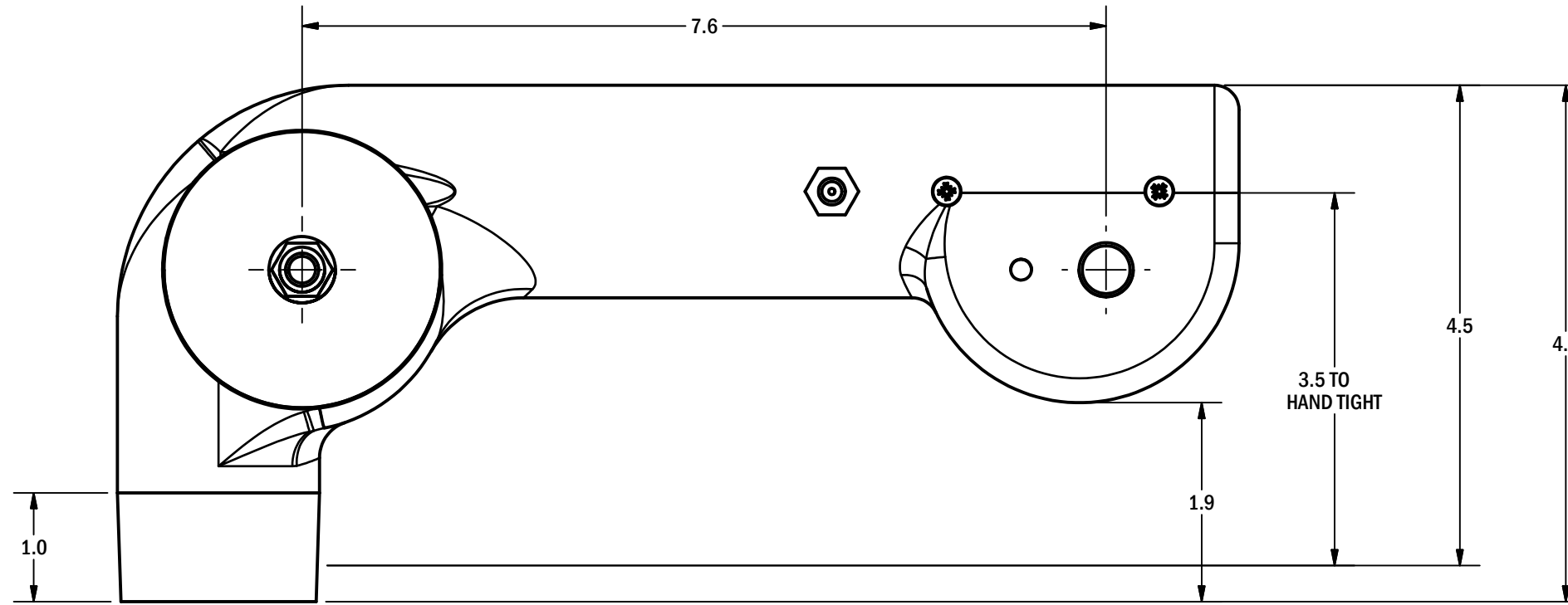


REVISION HISTORY			
REV #	BY	DATE	DESCRIPTION



APPROX. 3 lb

\\hawkeye-dc\ShareFiles\Engineering\Manufactured Products\Model 750-HOS Drawings\Model 375\SH2-375-LS-ASM-G.dwg



**HAWKEYE INDUSTRIES INC.**  
EDMONTON, ALBERTA, CANADA

DRAWING TITLE  
Model 375 General Dimensions  
DRAWING #  
SH2-375-GD