



Vapor Control > EPRV

Series 5000 EPRV

The Hawkeye Series 5000 Emergency Pressure Relief Vent (EPRV) is a weighted manway cover for liquid storage and process tanks. The device, sealed during normal operation, opens in the event of an abnormal pressure rise to relieve overpressures beyond the normal venting capacity.

Design

Compound Lever Design

- ▶ Reduces weight of hatch and keeps it compact
- ▶ Reduces dead weight required for a particular set pressure
- ▶ Decreases over pressure required for full pallet lift.

Soft Seal Gasket Design

- ▶ Exceeds API 2000 leak requirements
- ▶ Bubble tight beyond 90% of set pressure
- ▶ Superior performance as compared to competitor models with hard rubber or plastic seals

Operating Design

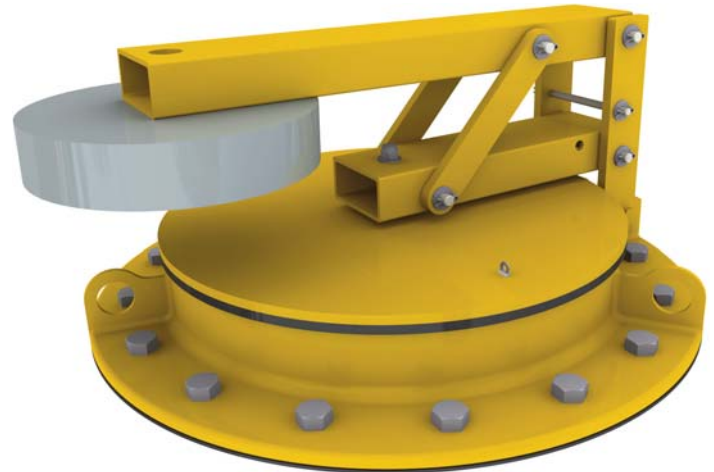
- ▶ Automatically closes and resets after venting
- ▶ Can be locked open for manway access
- ▶ Field servicable
- ▶ Integrated lifting lugs (3 plcs)

Construction

- ▶ Steel and Aluminum construction
- ▶ Vent assembly powder coated safety yellow
- ▶ Dead weight plates zinc plated
- ▶ Composite expanded FKM (Sponge Viton) gasket

Flexibility

- ▶ Field-adjustable relief settings
- ▶ Relief settings from 4 ozsi to 32 ozsi in 2 ozsi steps
- ▶ Available in 20" and 24" sizes
- ▶ Available for API 650 and ANSI B16.5 150# connections
- ▶ Severe Service, Fusion-bond epoxy coating available as an option in place of standard powder coating. Provides resistance to mineral acids, chloride ion solutions and many oil field organics.

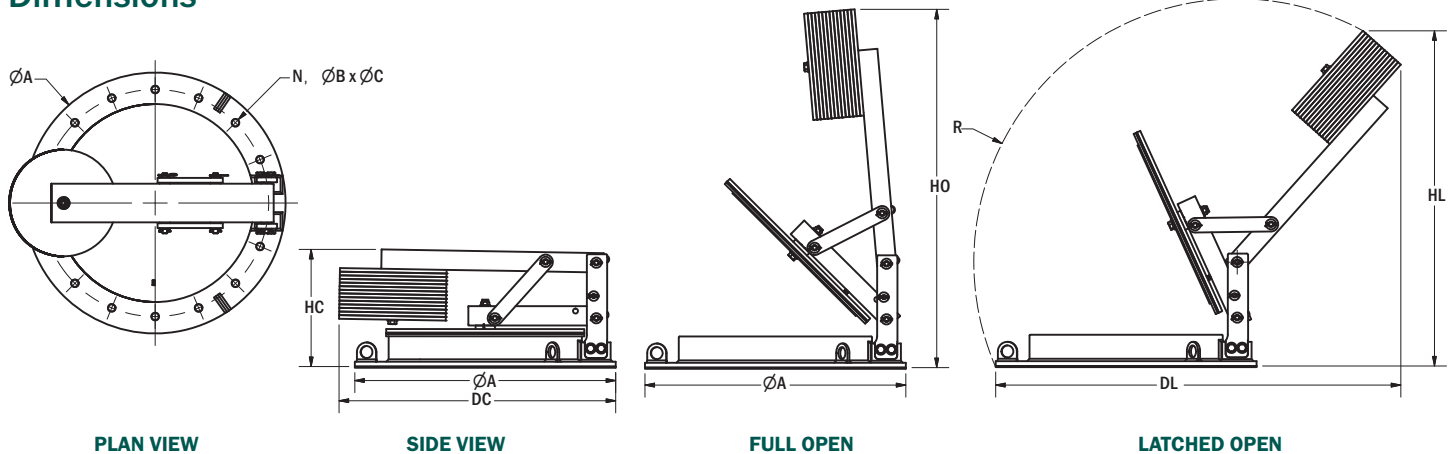


Above: 16 ozsi EPRV in the closed position.

Below: 16 ozsi EPRV in the full-pallet lift position.



Dimensions



Size	Pattern	Flange A	# Plcs N	Bolting			Height			Depth		Radius R	Weight (lb)
				Hole B	Bolt Size	BCD C	Closed HC	Open HO	Latched HL	Closed DC	Latched DL		
20	API	27	16	3/4	5/8	23.5	12	37	35	29	42	27.5	143
	ANSI	27.5	20	1-1/4	1-1/8	25	12	35	34.5	29	38	27.5	144
24	API	31	20	3/4	5/8	27.5	13	43.5	40	34	49	32.5	187
	ANSI	32	20	1-3/8	1-1/4	29.5	13	43	40	34	49.5	32.5	192

Ordering Information

EPRV - 5	M	RP	-C
Mounting Size			
0	20" API 650		
1	24" API 650		
2	20" ANSI 150#		
3	24" ANSI 150#		
Relief Pressure			
18	18 ozsi		
04	4 ozsi	20	20 ozsi
06	6 ozsi	22	22 ozsi
08	8 ozsi	24	24 ozsi
10	10 ozsi	26	26 ozsi
12	12 ozsi	28	28 ozsi
14	14 ozsi	30	30 ozsi
16	16 ozsi	32	32 ozsi
Coating			
Blank	Standard Powder Coat		
-C	Severe Service Coating		

Example:

EPRV-5116: 24" API 650, 16 ozsi relief setting
 EPRV-5432-C: 24" ANSI 150, 32 ozsi relief setting, severe service coating

Operating Specifications

20 API and ANSI							
(ozsi)	Set Pressure			Flow Rate (1000 SCFH) at Over Pressure			Rated Flow Rate (1000 SCFH)
	(psi)	(Kpa)	20%	30%	40%	100%	
4	0.250	1.72	676	703	730	872	
6	0.375	2.59	827	861	893	1067	
8	0.500	3.45	955	993	1031	1231	
10	0.625	4.31	1067	1110	1152	1376	
12	0.750	5.17	1168	1216	1261	1506	
14	0.875	6.03	1261	1313	1362	1626	
16	1.000	6.90	1348	1403	1455	1737	
18	1.125	7.76	1429	1487	1543	1841	
20	1.250	8.62	1506	1567	1626	1940	
22	1.375	9.48	1579	1643	1704	2033	
24	1.500	10.34	1649	1715	1780	2122	
26	1.625	11.21	1715	1785	1851	2208	
28	1.750	12.07	1780	1851	1920	2290	
30	1.875	12.93	1841	1916	1987	2369	
32	2.000	13.79	1901	1978	2051	2445	

24 API and ANSI							
(ozsi)	Set Pressure			Flow Rate (1000 SCFH) at Over Pressure			Rated Flow Rate (1000 SCFH)
	(psi)	(Kpa)	20%	30%	40%	100%	
4	0.250	1.72	990	1030	1069	1277	
6	0.375	2.59	1212	1261	1309	1563	
8	0.500	3.45	1399	1456	1511	1804	
10	0.625	4.31	1563	1627	1688	2016	
12	0.750	5.17	1712	1782	1849	2207	
14	0.875	6.03	1849	1924	1996	2382	
16	1.000	6.90	1975	2056	2133	2545	
18	1.125	7.76	2095	2179	2261	2698	
20	1.250	8.62	2207	2296	2382	2842	
22	1.375	9.48	2314	2408	2498	2979	
24	1.500	10.34	2416	2514	2608	3110	
26	1.625	11.21	2514	2615	2713	3235	
28	1.750	12.07	2608	2713	2814	3355	
30	1.875	12.93	2698	2807	2912	3471	
32	2.000	13.79	2786	2898	3006	3583	

See technical bulletin TB-0214-EPRV for more information on flow rates.