



Level Indication > Standard Sparrowhawk

When emission prevention and control are not required, the Sparrowhawk Model is the reliable, economical choice. The compact and easy-to-install level gauge works on any size storage, production or mud tank.

Design

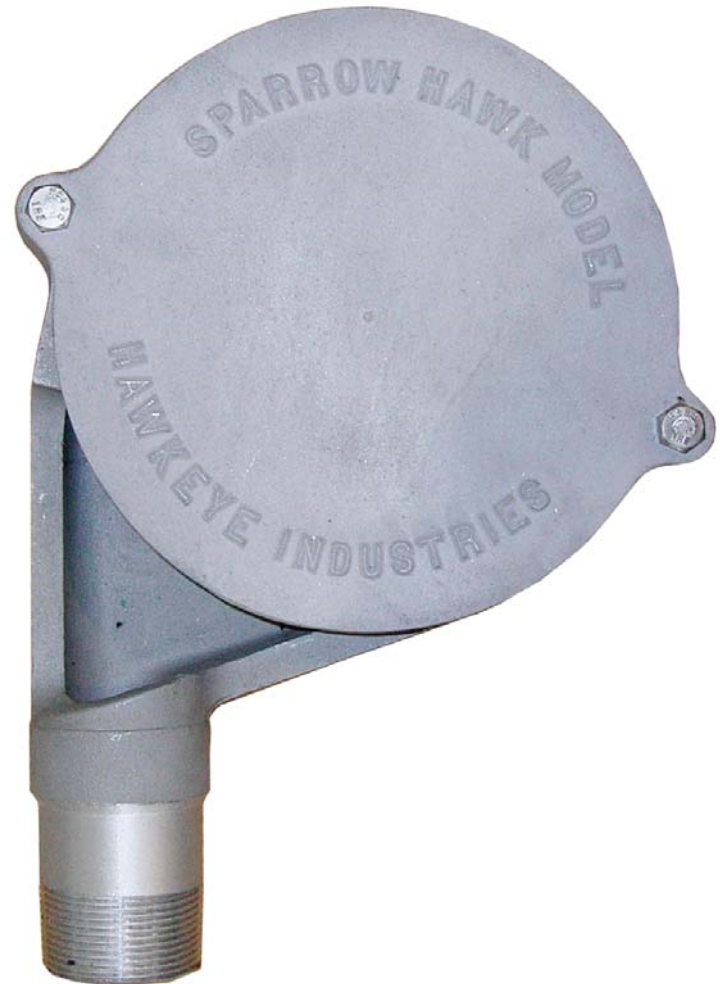
The close tolerances between the pulley and the housing prevent the cable from “jumping” off, a problem which has plagued operators in the past. It is compact, simple to install and easy to move from tank to tank.

Construction

Cast aluminum pulley and housing along with the stainless steel shaft makes this a rugged and reliable gauge.

Flexibility

The Sparrow Hawk also comes with a 1-1/2 NPT connection, and can be used on tanks from 3 to 80 feet



Above: Sparrowhawk Gauge Head.

Left: Sparrowhawk Gauge Head with cover removed, showing the close pulley-housing clearance.



Ordering Information

- 1.) Specify Sparrowhawk Gauge Head System
- 2.) Specify Tank Height and Volume
- 3.) Specify Gauge Board Readout (Volume or Linear Height)
- 4.) Specify Level Switches (if required)
- 5.) Specify Float Guide Anchor Plate (required if tank does not have attachment points at bottom for float guide cables)

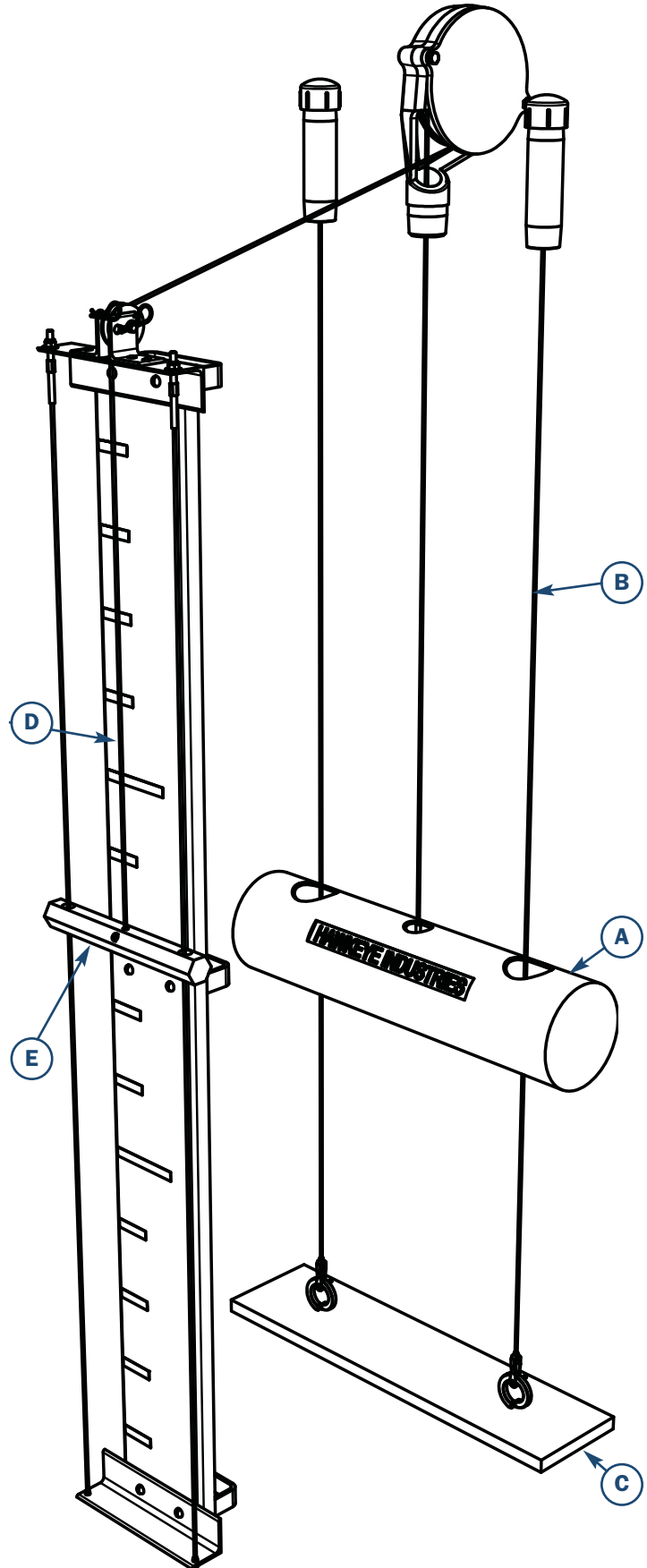
Specifications

Measuring Principle	Float
Maximum Range	24 m [80 ft]
Local Display	Gauge Board & Indicator
Process Connection	1-1/2 NPT
Process Temperature	-40°C to 80°C (w/ PE Float)
Ambient Temperature	-40°C to 70°C
Pressure	Atmospheric

Related Products

Add these items to complete the Sparrowhawk Gauging System.

- ▶ Polyethylene or Stainless Steel Float (A)
- ▶ Float Guide Kit (B)
- ▶ Float Guide Anchor Plate (C)
- ▶ Gauge Board with Decal and Mounting Clips (D)
- ▶ Indicator & Guide Kit (E)
- ▶ Level Switches (not shown)
- ▶ Ice Adapter (F)



Left: Mounted between the Sparrowhawk and the tank, the Hawkeye Ice Adapter Vent nipple can help alleviate freezing problems in high vapor situations.