

LEVEL INDICATION | DRY-SEAL ZERO EMISSION GAUGE HEADS  
**ROADSIDE HAWK GAUGE HEAD**



**Features**

- Dry-Seal, Zero Emission Design
- Minimal maintenance required
- Compact Design, suitable for higher pressure operation
- Compatible with Goshawk Level Transmitter
- Freeze-resistant



## FEATURES

### Compartmentalized

- The gauge head is split into two separate compartments: the *sealed side* and the *open side*.
- The *sealed side* is exposed to the tank; the *open side* exposed to atmosphere.
- Sealed side features integral sloped channel, allowing condensation to drain freely back into the tank.
- Compartments are only mechanically connected by the bearing-supported axle, and sealed by the unique *Dual Dry Seal*.

### Dual Dry Seal

- Dual dynamic FKM (Viton) seals the compartment from each other and prevents emission from the tank escaping from the gauge head.
- Dry-Seal technology requires no addition of grease or other sealing agents for long-term reliable operation.

### Compact, Indexed Cable Reels

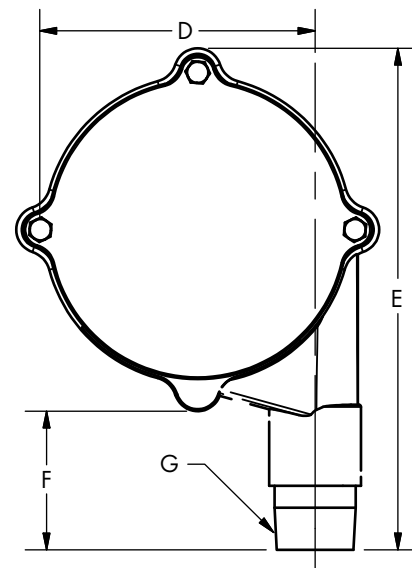
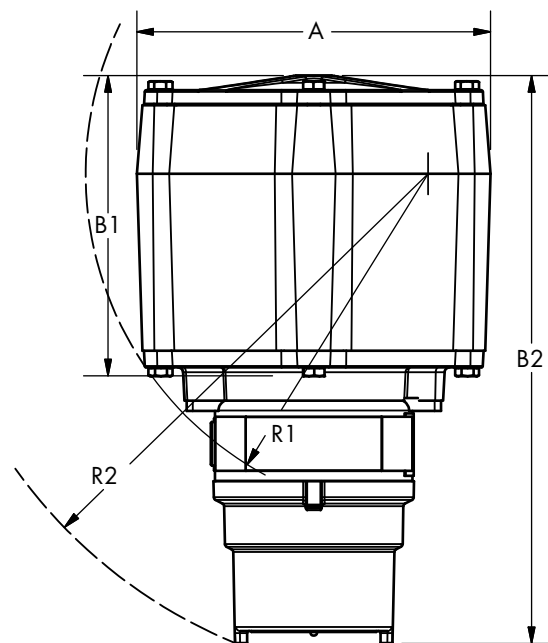
- Cable is wound on two reels, one in each compartment.
- Compact Cable Reels reduce gauge head size, allow for higher pressure operation.
- Reels are connected mechanically via a keyed common axle.
- Reels provide accurate cable indexing with none of the slip associated with pulley systems.
- Indexed reels allow the use of the bolt-on *Goshawk Level Transmitter*.

## OPERATING SPECIFICATIONS

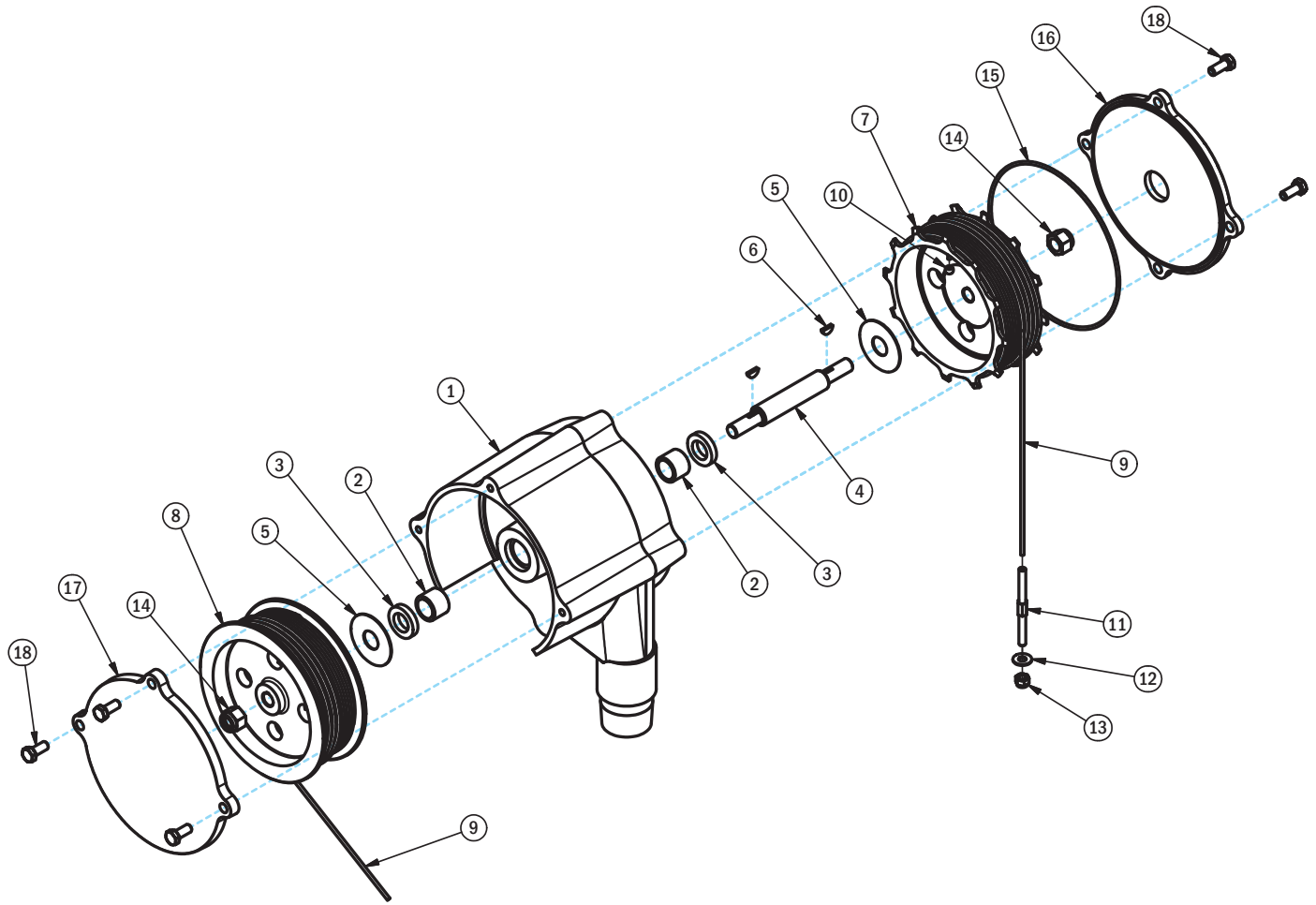
Measuring Principle	Mechanical (Float)	
Maximum Range	6 m [ 20 ft]	
Local Display	Tank Mounted Gauge Board & Indicator	
Process Connection	1-1/2 MNPT	
Process Temperature	- 40 °C to 60°C (w/ LLDPE Float)	
Ambient Temperature	- 40 °C to 70°C (w/ LLDPE Float)	
Operating Pressure	1 bar [14.5 psi]	
With Optional Goshawk Level Transmitter:		
Maximum Range	3.4 m [11 ft]	(Goshawk I)
	5.5 m [18 ft]	(Goshawk II)
	6.0 m [20 ft]	(Goshawk III)
Power Supply	13 - 24 VDC	
Output	4 - 20 mA	
HazLoc	CSA Cl. I Div. 1 Gr. C&D	

## DIMENSIONS

Dimension	Roadside Hawk	Roadside Hawk with Goshawk
A Overall Width	8.5	8.5
B1 Overall Depth	7.2	-
B2 Overall Depth with Transmitter	-	13.6
D Connection C/L to front	6.5	6.5
E Overall Height	11.8	11.8
F Clearance Under	3.3	3.3
G Connection Size	1-1/2 MNPT	1-1/2 MNPT
R1 Turn-on Radius	8.2	
R2 Turn-on Radius w/ Transmitter		12.2
W Weight	16 lb	20 lb



## PARTS LIST & MATERIALS OF CONSTRUCTION



Item	P/N	Part Name	Material
1	RS-1000	Body	Cast Aluminum (Polyester Coated)
2	10-1081	Axle Bearing	HS Steel
3	10-1071	Oil Seal	FKM (Viton)
4	RS-1003	Axle	316 SS
5	10-1005	Washer	Nylon
6	10-1001-S	Axel Key	316 SS
7	RS-1001	Reel - Pressure Side	Cast Aluminum
8	RS-1002	Reel - Open Side	Cast Aluminum
9	10-1006	Reel Cable	316 SS
10	10-1075	Cable Retaining Ball	316 SS

Item	P/N	Part Name	Material
11	10-1007	Cable Stud	316 SS
12	HW-1073	Stud Washer	316 SS
13	HW-1078	Stud Nut	316 SS, Nylon Insert
14	HW-1002	Axel Nut	316 SS, Nylon Insert
15	RS-1006	O-Ring	FKM (Viton)
16	RS-1025	Cover Plate, Pressure Side	Cast Aluminum (Polyester Coated)
17	RS-1024	Cpver Plate, Open Side	Cast Aluminum (Polyester Coated)
18	HW-1003	Cover Plate Bolt	316 SS

### TESTING

Every Roadside Hawk Gauge Head is tested with air to 1.5x maximum allowable operating pressure, marked with the *PASS* sticker (shown) and boxed, ready for shipment.



### PACKAGING

Roadside Hawk Gauge Heads are shipped ready to install with cable terminations in place. Gauge Heads are boxed individually and include installation instructions. Package dimensions are 12.25" x 9.25" x 8" with shipping weight of 17 lb.



## SYSTEM INFORMATION

The Roadside Hawk Gauge Head forms the core of a complete premium level indication system. To take advantage of the full value of a Hawkeye Level Indication system, be sure to specify a complete Roadside Hawk Level Indication System with components that are designed and engineered to work together.

### A complete system includes:

- Roadside Hawk Gauge Head (Highlighted at right)
- Graduated Gauge Board, with volume in [m<sup>3</sup>]
- Top Roller Guide
- Freeze-resistant Indicator & Indicator Guides
- Horizontal Polyethylene Float (LLDPE)
- Float Guides

## SYSTEM OPTIONS & ACCESSORIES

### Goshawk Level Transmitter

The Roadside Hawk can support the Goshawk Level Transmitter, a bolt-on accessory that adds 4 - 20 mA 24VDC Level Output in addition to the mechanical gauge board display. See the Goshawk Transmitter brochure for more information.

### Stainless Steel Float

Suitable for high-temperature applications.

### Float Guide Anchor

To secure float guides when tank floor cannot be accessed or modified.

### Gauge Board Mounting Clips

Weld-on or magnetic clips to secure gauge board to tank wall.

### Level Switches

Electrical or Pneumatics Mechanical point switches.

## ORDERING INFORMATION

### Complete Roadside Hawk Level Indication System

1. Specify "Roadside Hawk Level Indication System"
2. Specify Tank Height, and Volume
3. Specify desired gauge board graduations (volumetric [m<sup>3</sup>] is standard)
4. Specify any options or accessories required.

### Individual Roadside Hawk Gauge Head

1. Specify "Roadside Hawk Gauge Head"

