

LEVEL INDICATION | DRY-SEAL ZERO EMISSION GAUGE HEADS

REDTAIL HAWK GAUGE HEAD



Features

- Dry-Seal, Zero Emission Design
- Minimal maintenance required
- Large-diameter Cable Reels for low-friction operation
- Compatible with Goshawk Level Transmitter
- Freeze-resistant



FEATURES

Compartmentalized

- The gauge head is split into two separate compartments: the *sealed side* and the *open side*.
- The *sealed side* is exposed to the tank; the *open side* exposed to atmosphere.
- Sealed side features integral sloped channel, allowing condensation to drain freely back into the tank.
- Compartments are only mechanically connected by the bearing-supported axle, and sealed by the unique *Dual Dry Seal*.

Dual Dry Seal

- Dual dynamic FKM (Viton) seals the compartment from each other and prevents emission from the tank escaping from the gauge head.
- Dry-Seal technology requires no addition of grease or other sealing agents for long-term reliable operation.

Large Diameter, Indexed Cable Reels

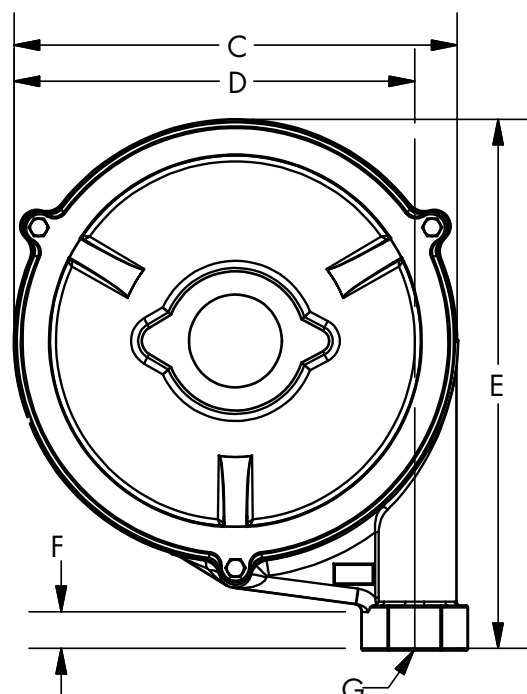
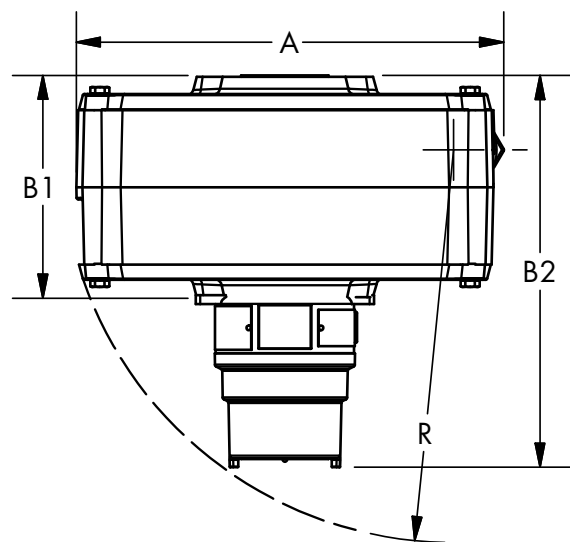
- Cable is wound on two reels, one in each compartment.
- Large Diameter Reels provide require minimal actuation forces.
- Reels are connected mechanically via a keyed common axel.
- Reels provide accurate cable indexing with none of the slip associated with pulley systems.
- Indexed reels allow the use of the bolt-on *Goshawk Level Transmitter*.

OPERATING SPECIFICATIONS

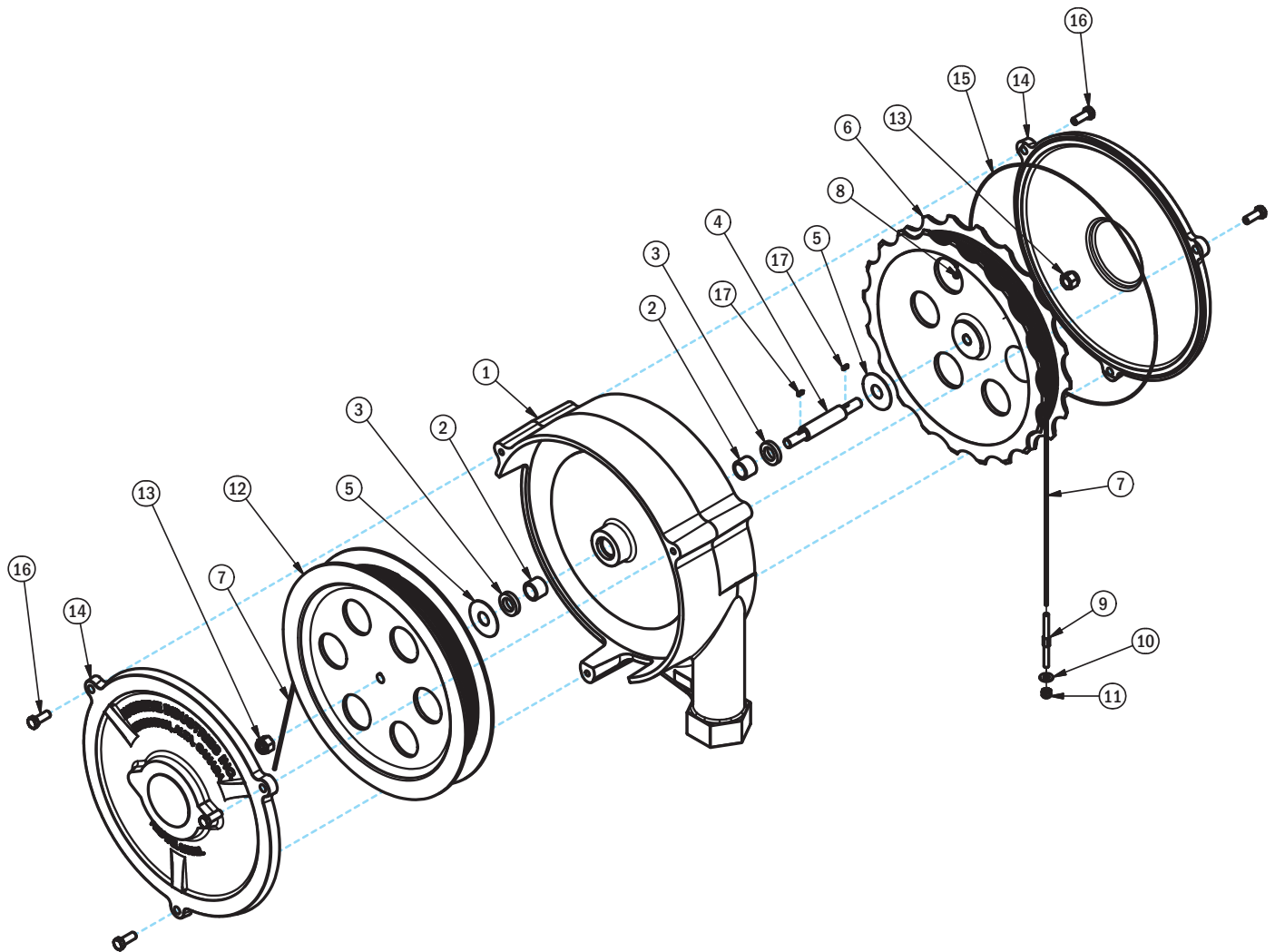
Measuring Principle	Mechanical (Float)	
Maximum Range	20 m [66 ft]	
Local Display	Tank Mounted Gauge Board & Indicator	
Process Connection	2 FNPT	
Operating Temperature	- 40 °C to 60°C (w/ LLDPE Float)	
Operating Pressure	0.15 bar [2 psi]	
With Optional Goshawk Level Transmitter:		
Maximum Range	7.3 m [24 ft]	(Goshawk I)
	11.9 m [39 ft]	(Goshawk II)
	20 m [66 ft]	(Goshawk III)
Power Supply	13 - 24 VDC	
Output	4 - 20 mA	
HazLoc	CSA Cl. I Div. 1 Gr. C&D	

DIMENSIONS

	Dimension	Redtail Hawk	Redtail Hawk with Goshawk
A	Overall Width	14.7	14.7
B1	Overall Depth	7.7	-
B2	Overall Depth with Transmitter	-	13.4
C	Gauge Width	14.3	14.3
D	Connection C/L to front	12.9	12.9
E	Overall Height	17.1	17.1
F	Wrench Flat	1.2	1.2
G	Connection Size	2 FNPT	2 FNPT
R	Turn-on Radius	13.5	13.5
W	Weight	38 lb	41 lb



PARTS LIST & MATERIALS OF CONSTRUCTION



Item	P/N	Part Name	Material
1	RT-1000	Body	Cast Aluminum (Polyester Coated)
2	10-1081	Axle Bearing	HS Steel
3	10-1071	Oil Seal	FKM (Viton)
4	RT-1003	Axle	316 SS
5	10-1005	Washer	Nylon
6	RT-1001	Reel - Pressure Side	Cast Aluminum (Bare)
7	10-1006	Reel Cable	316 SS
8	10-1075	Cable Retaining Ball	316 SS
9	10-1007	Cable Stud	316 SS

Item	P/N	Part Name	Material
10	HW-1073	Stud Washer	316 SS
11	HW-1078	Stud Nut	316 SS, Nylon Insert
12	RT-1002	Reel - Open Side	Cast Aluminum, (Bare)
13	HW-1002	Axel Nut	316 SS, Nylon Insert
14	RT-1004	Cover Plate	Cast Aluminum (Polyester Coated)
15	RT-1006	O-Ring	FKM (Viton)
16	HW-1004	Cover Plate Bolt	316 SS
17	10-1001-S	Axel Key	316 SS

TESTING

Every Redtail Hawk Gauge Head is tested with air to 1.5x maximum allowable operating pressure, marked with the PASS sticker (shown) and boxed, ready for shipment.



PACKAGING

Redtail Hawk Gauge Heads are shipped ready to install with cable terminations in place. Gauge Heads are boxed individually and include installation instructions. Package dimensions are 18.75" x 16" x 7.5" with shipping weight of 39 lb.



SYSTEM INFORMATION

The Redtail Hawk Gauge Head forms the core of a complete premium level indication system. To take advantage of the full value of a Hawkeye Level Indication system, be sure to specify a complete Redtail Hawk Level Indication System with components that are designed and engineered to work together.

A complete system includes:

- Redtail Hawk Gauge Head (Highlighted at right)
- Graduated Gauge Board, with volume in [m³]
- Top Roller Guide
- Freeze-resistant Indicator & Indicator Guides
- Horizontal Polyethylene Float (LLDPE)
- Float Guides

SYSTEM OPTIONS & ACCESSORIES

Goshawk Level Transmitter

The Redtail Hawk can support the Goshawk Level Transmitter, a bolt-on accessory that adds 4 - 20 mA 24VDC Level Output in addition to the mechanical gauge board display. See the Goshawk Transmitter brochure for more information.

Stainless Steel Float

Suitable for high-temperature applications.

Float Guide Anchor

To secure float guides when tank floor cannot be accessed or modified.

Gauge Board Mounting Clips

Weld-on or magnetic clips to secure gauge board to tank wall.

Level Switches

Electrical or Pneumatics Mechanical point switches.

ORDERING INFORMATION

Complete Redtail Hawk Level Indication System

1. Specify "Redtail Hawk Level Indication System"
2. Specify Tank Height, and Volume
3. Specify desired gauge board graduations (volumetric [m³] is standard)
4. Specify any options or accessories required.

Individual Redtail Hawk Gauge Head

1. Specify "Redtail Hawk Gauge Head"

