



Polyethylene & Pipeline > Casing RACI Casing Spacers

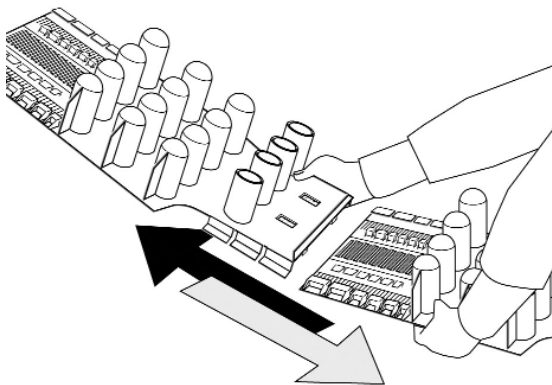
Innovative no-fastener RACI spacers isolate carrier pipes from casing pipe in a simple and cost-effective manner. The unique RACI design provides projections around the entire circumference of the carrier pipe, and has no fasteners to scratch or mar the casing during installation.

Design

RACI spacers attach rigidly to carrier pipe to mechanically and electrically isolate it from the casing pipe, eliminating the possibility of galvanic corrosion and coating abrasion due to dynamic loading. Additionally, RACI spacers keep bell and spigot Joints from sliding or resting on the casing, reducing wear on the carrier pipe. The RACI spacer itself is chemically resistant, and can withstand significant thermal and mechanical stresses during installation.

Construction

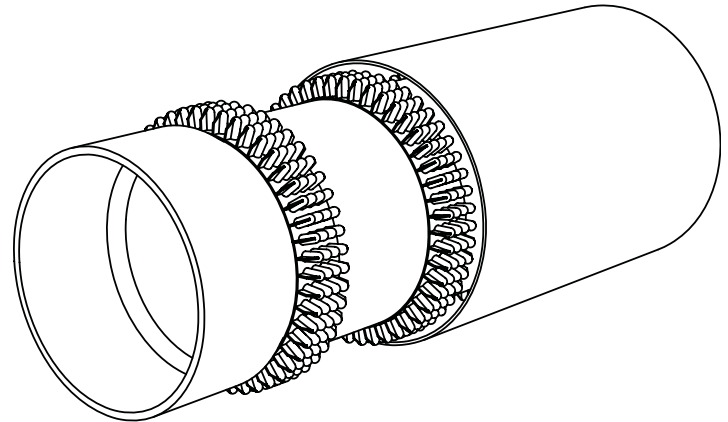
RACI spacers are injection molded high-density polyethylene, and join via an integral locking system that requires no metal bolts or fasteners. The injection molded HDPE spacer has high impact strength, and provides little friction during casing installation.



Above: Assembly of two RACI elements

Flexibility

RACI Spacer elements are available with varying support heights, allowing the spacer to clear any bells, flanges or coupling on the carrier pipe. The integral joining system is simple to operate in the field and allows the RACI system to match a wide range of carrier pipe diameters, including coated pipes. RACI spacers can be installed on concrete, ductile iron, plastic and steel pipe.



Above: A illustration of carrier pipe with RACI inside casing.
Below: Individual RACI element, showing support features (left side) and connection (right side).



Sizing Information

The selection of spacer depends on the following information:

- 1.) Exact carrier pipe OD
- 2.) Exact bell, flange or coupling OD
- 3.) Exact casing pipe ID
- 4.) Clearance desired between casing and carrier pipe.
- 5.) Length of application, with linear weight of filled carrier pipe.

Consult the element charts in the RACI brochure for sizing and spacing information. We also offer a sizing calculator on our website, and we are always willing to help size an application. Call for more information.

Tools & Tool Rental

To facilitate assembly of RACI spacer rings, Hawkeye offers two types of hand tools. The vice tool has interchangeable jaws for assembling A&B, F&G and S&T spacer rings. The ratcheting tool comes in sizes for assembling E&H and M&N sized spacer rings.

Tools are available to rent as well. Call for more information.



Above: RACI installation tool for E&H and M&N Spacers.



Top: RACI Vice Tool for A&B, F&G and S&T Spacers

Above: Using the RACI Vice Tool to assemble an S&T Spacer ring.

Below: Modular RACI Vice Tool jaw sets (l - r) for S&T, F&G and A&B sizes.

Tape

To secure the casing spacer ring to the carrier pipe, it is recommended that half the circumference of the carrier be covered in a mastic or adhesive tape. Hawkeye offers tape that is strong, easy to apply and non-damaging to both carrier and spacers.



Technical Application Service

Hawkeye offers technical assistance in selecting, sizing and ordering RACI spacers for any application. From simple cased roadway crossings, to large diameter pushes 700m and more, we're here to help.