



Pump-out Plugs

The Hawkeye Industries Inc. pump-out plug is a premium, cost-effective temporary tubing plug. The single use pressure activated device, located at the bottom end of the tubing string, temporarily seals the string ID for testing, setting packers and keeping debris out.

Design

The Hawkeye Pump-out Plug is simple and easy to use. The unique tapered plug design insures a smooth run, even in highly deviated wells. The plug is available in a standard pressure model, with 12 shear screws, and a high pressure model with 18 to 36 screws, depending on tubing size. Additionally, the high pressure model is also available with a ball check style cap to allow fluid entry into the tubing.

Flexibility

Pump-Out Plugs are available in three EUE tubing sizes (2-3/8, 2-7/8, 3-1/2 Tubing) each in three different configurations (standard pressure, high pressure, and high pressure with ball check). Additionally, shear screws, seals and plugs are available as a spare-part replacement kit. Pump-out pressure is easily adjusted in the field by removing or installing shear screws. All plugs come complete with a full complement of shear screws.

Construction

The EUE threads of the Hawkeye Pump-Out Plug meet fully API Spec 5B - 1998 (2004), and the drain itself meets EUE coupling dimensions specified in API spec 5CT-2005. The body of the plug is a A519 Seamless carbon steel tube, with an aluminum plug. The optional ball check model includes a chrome-plated steel ball.

Ordering Information

- 1.) Specify Standard, High Pressure, or High Pressure with Ball Check Model Pump-out plug
- 2.) Specify Tubing Size
(See charts on back for screw configurations)
- 3.) Specify Material (if non-standard)



Above: Standard EUE Pump-Out plugs
Below: High Pressure EUE Pump-Out plug



Above: Optional Ball Check style Plug Caps

Specifications

Standard Pump-out Plug

Size	Dimensions (in)			#	Screws Activation (psi)	
	L	OD	ID		/screw	max
2 3/8	4.9	3.06	2.00	12	450	5400
2 7/8	5.1	3.69	2.50	12	275	3300
3 1/2	5.6	4.50	3.15	12	200	2400

High Pressure Pump-out Plug

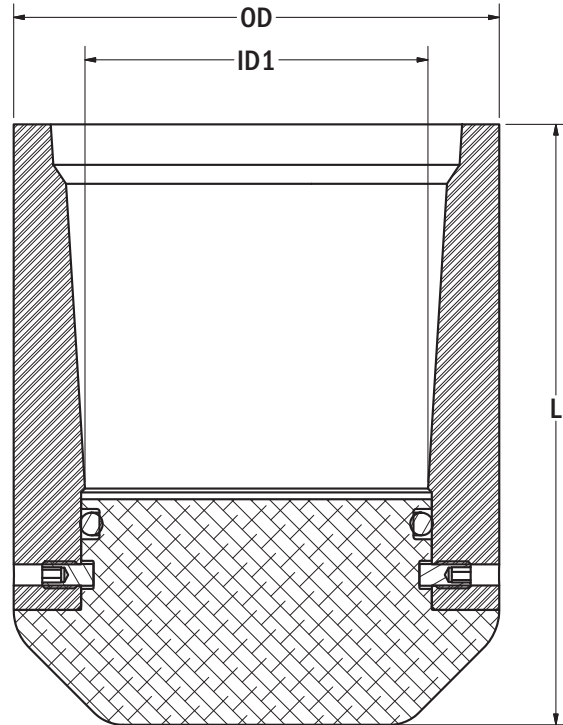
Size	Dimensions (in)			#	Screws Activation (psi)	
	L	OD	ID1		/screw	max
2 3/8	5.7	3.06	2.00	16	450	7200
2 7/8	5.8	3.69	2.50	26	275	7150
3 1/2	6.3	4.50	3.15	36	175	6300

Ball Check Option (Available on High Pressure Model only)

Size	Dimensions (in)	
	ID2	B
2 3/8	1.00	1.50
2 7/8	1.25	1.75
3 1/2	1.50	2.00

Materials of Construction

Component	Material
Body	AISI 1026 / ASTM A519L
Screws	Proprietary Brass Alloy
Seals	Viton
Plug	6061 Aluminum
Ball	Chrome Plated Steel



Above: Schematic of Standard Pump-out Plug
Below: Schematic of High Pressure Pump-out Plug shown with optional Ball Check option.

