



Level Indication > Model 750

Model 750 System

Based around the Model 750 Gauge head, this system is available in a number of different configurations to suit your application. Available in open or sealed versions, with a number of different indicator and float options, the Model 750 system is a versatile economical indication system.

Model 750 Gauge Head



Design

The Model 750 Series Gauge Head features a two-pulley design with an adjustable pulley position to suit your tank configuration. Close tolerance between the pulleys and housing eliminate cable “jumping,” and the top cover and vent holes work to prevent the gauge head from icing.

The “LS” version adds a pressurized grease cartridge, making it into a sealed, zero-emission gauge head. This patented design maintains a tight cable seal longer than any comparable liquid seal competitor, and can be easily replenished on site using a standard grease gun.

Construction

Cast aluminum alloy provide a durable and corrosion resistant cover for the Model 750 Series Gauge Head. The PVC pulleys are supported by stainless steel clevis-pin axels. The sealing cartridge in the “LS” model is made from PVC, Viton and zinc-plated steel components, and is filled with synthetic grease.

Flexibility

Clevis pins allow quick removal of the pulleys for simple and efficient cable assembly, and gauge board mounting flexibility. An optional extension is available, extending the gauge head reach by two inches.

Above: Model 750LS Gauge Head, with a cutaway of the Liquid Seal Cartridge

Below L: Cross vent holes

Below R: Detail of patented liquid seal cartridge

Specifications - Model 750 Series Gauge Head

Measuring Principle	Float	Temperature Range	
Maximum Range	24 m [80 ft]	Polyethylene Float	-40 °C to 80 °C
Local Display	Gauge Board & Indicator	Grease (Hawkeye 750-LS-G) [†]	-45 °C to 175 °C
Process Connection	1-1/2 NPT	Ambient Temperature	-40 °C to 70 °C
		Pressure [†]	13.8 kPa [2 psi]

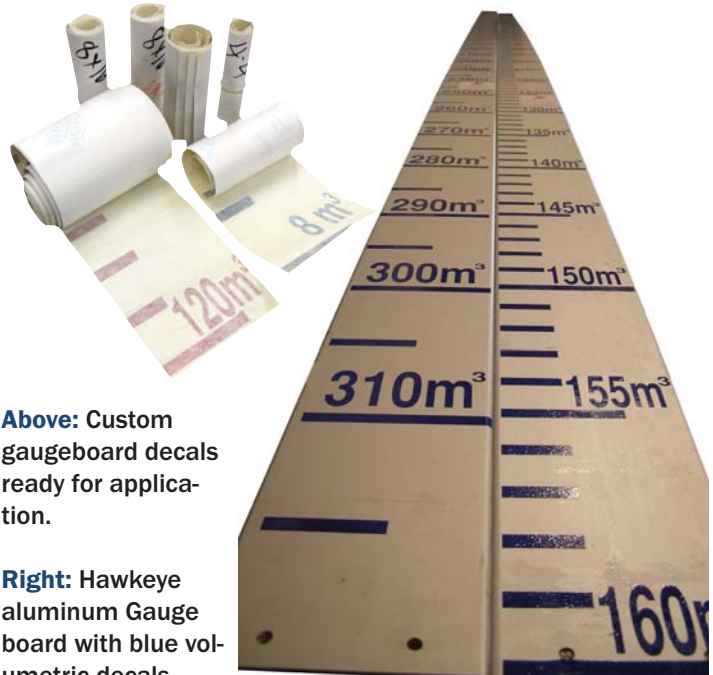
[†] Applicable to Model 750 LS only.

Gauge Board, Decals & Clips

Anodized aluminum gauge boards for tanks 1 to 32+ ft come complete with UV-Resistant graduated volume or height decals, customized to application, already applied. Volumetric decals are graduated in cubic metres (m^3) and come in blue; linear height decals are graduated in metres (m) and come in red. We can also supply pre-cut ready-to-apply decals to retrofit an existing gauge board.



Standard weld-on gauge board mounting clips (above left) are available, as well as flexible magnetic clips (above right) when welding is not an option. Clips are recommended every 60 in.



Above: Custom gaugeboard decals ready for application.

Right: Hawkeye aluminum Gauge board with blue volumetric decals.

Standard Indicator & Guide Kit



The Hawkeye Standard Indicator & Guide kit is a premium indication solution, allowing trouble-free operating in all weather conditions. The indicator has generous guide holes that run along guide cables offset from the gauge board so not only is it resistant to jamming and icing up, but has no contact with the gauge board decals ensuring long life.

The standard indicator is a zinc-plated steel, with stainless steel trim. The standard indicator is compatible with all Hawkeye gauging systems cable and connections.

Wraparound Indicator



The precision balanced wrap-around style indicator runs along our standard gauge board, eliminating the need for other external guide cables.

The Wrap-around indicator is a high-polish aluminum tread plate with carbon steel counterweights riveted to the backside.

The wrap around indicator snaps over the gauge board, and can be installed on any Model 750 Series Indication system.

Horizontal Floats

6" Standard Polyethylene



The standard 6" Diameter x 24" long polyethylene float is recognized as the best float available for any level gauge system. It boasts integrated float guides and cable. PE floats are molded from linear low-density PE material, and suitable for use up to 80°C. The resilient float is designed to work in harmony with the Hawkeye Indicator, but can also replace third-party floats.

6" Stainless Steel



Hawkeye offers 6" diameter stainless steel floats to replace the standard polyethylene float when conditions dictate. All stainless floats are 316L, and come with an integrated pigtail cable connection system and float guides. Optionally, the stainless steel float can be electrically bonded to the float cable.

4" Guideless Polyethylene



The Hawkeye 4" Diameter guideless polyethylene float is an economical choice when guides are not available or required. The 4" Diameter allows installation through a 4 NPT nozzle without any other tank access required. The 4" guideless polyethylene float requires the use of the Hawkeye Wrap-around indicator.

Float Guide Kit & Anchor



Float guides cables run inside the tank and provide guiding for the float, preventing wandering or twisting. Wherever possible, it is recommended that all 6" floats be run with float guides. The float guide kit includes two cable locks, cable, and strap forks to connect to eyes welded on the tank floor. For retrofit or applications where welding clips to the tank floor, we provide two styles of float guide anchors: coated steel (pictured) and a weighted 6" PE float.



Other Accessories

Level Switches

The standard indicator is compatible with all hi-lo level switches currently available. Consult the level switch brochure for more information.

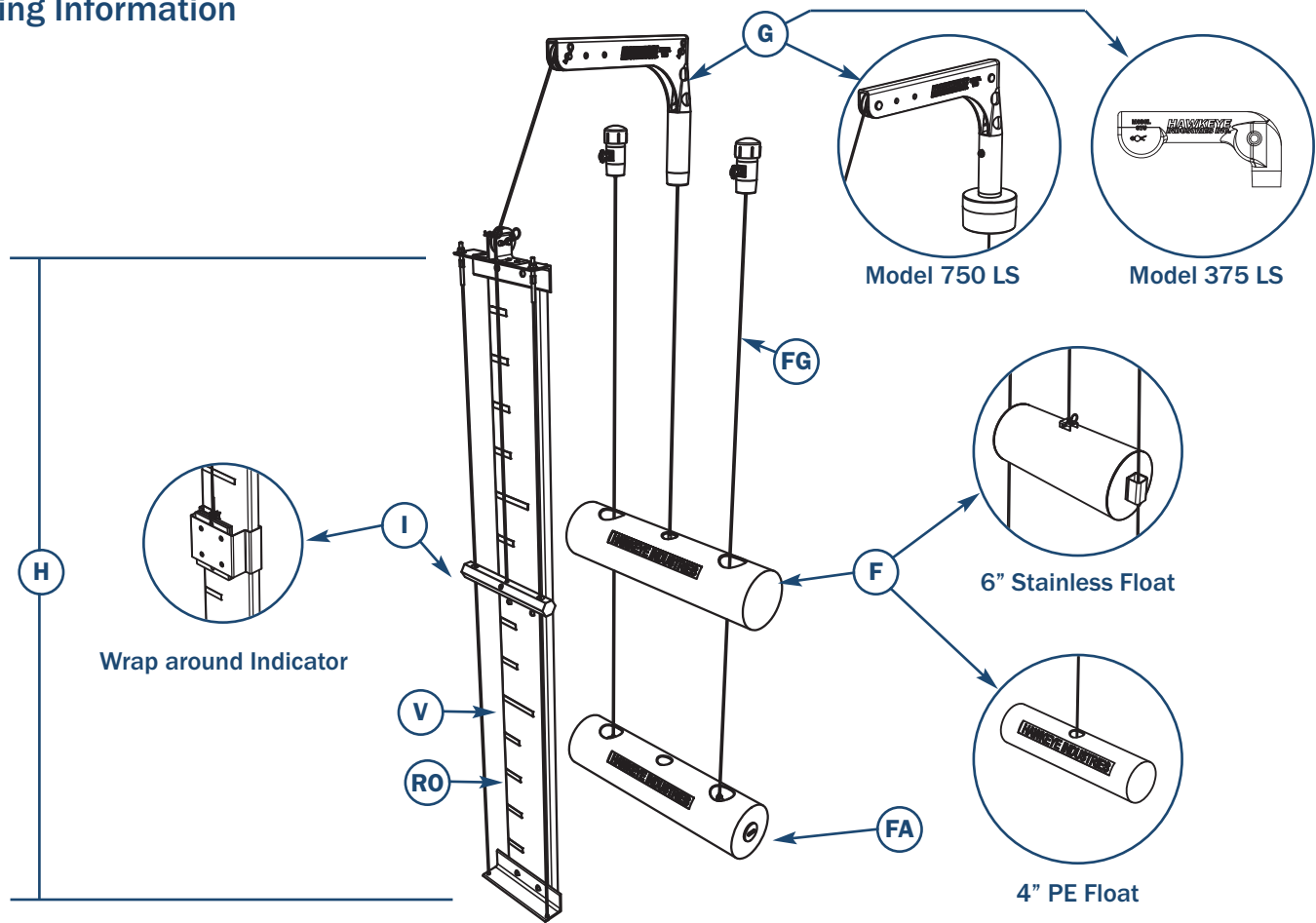
Adapter Bushings

When installing a 4" Guideless float through a 4 NPT nozzle, the adapter bushing allows mounting the 1-1/2 NPT Model 750 on the same port for easy one-nozzle installation.

Cable Accessories

We offer a selection of Crosby-style cable clamps, as well as crimp rings for all the cable products we supply.

Ordering Information



Use the following chart to build your Model 750 Gauge System. **Bolded Items are Standard.**

System Configuration	Application	Accessories
G I F FG	H V RO	FA S
1 Model 750 2 Model 750 LS ¹ 2 Model 375 LS ^{1,2}		0 No Level Switch 1 EX-AR Level Switch 2 Pneumatic Switch
1 Standard Indicator 2 Wrap around Indicator ²		0 No FG Anchor 1 Float Guide Anchor
1 6" PE float 2 6" Stainless float 3 4" PE float ³		1 Volume Readout (m³) 2 Linear Readout (m)
0 No Float Guide Kit ⁴ 1 Float Guide Kit		Volume ____ BBL/m ³ Height ____ ft/m

¹ LS models cannot be used with the 4" PE Float.
² The Model 375 LS requires a Top Roller Guide

³ The 4" PE float is unguided and requires use of Wrap Around Indicator.
⁴ A Float Guide Kit is optional, but recommended for all 6" Floats.