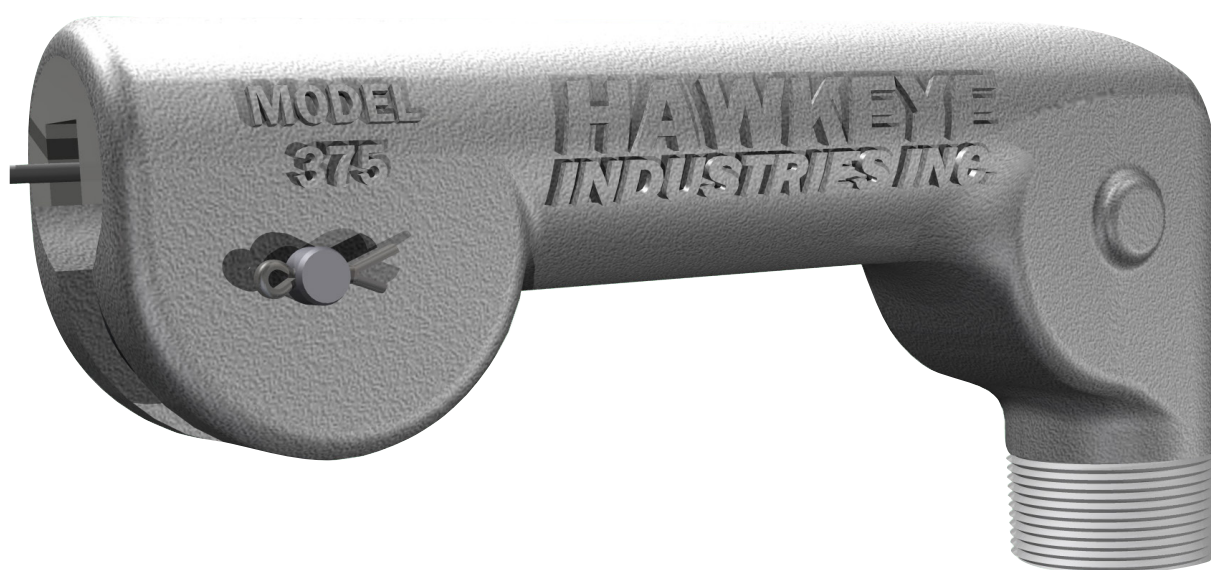


LEVEL INDICATION | LIQUID SEAL ZERO EMISSION GAUGE HEADS
MODEL 375 LS GAUGE HEAD



Features

- Low Profile, Compact Design ideal for Rental Tanks
- Patented Energised Liquid Seal
- Close Cable Tolerances for trouble-free operation
- Has both 1-1/2 MNPT and 3/4 FNPT Connections
- Comes complete with Hawkeye's Top Roller Guide



FEATURES

Low Profile

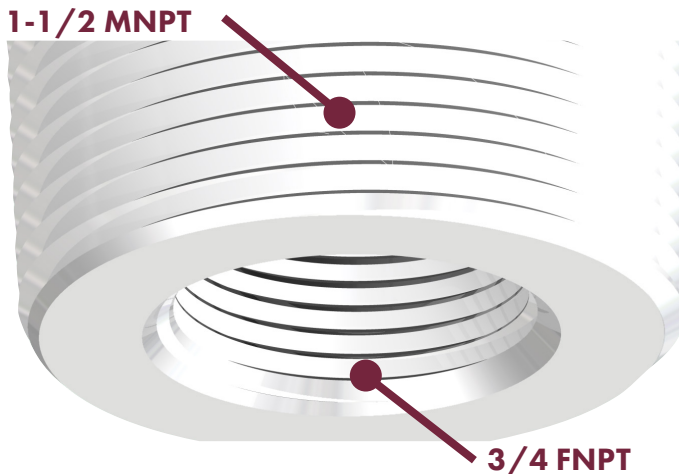
- Under 5" high when installed.
- Sites below most tank roof peaks.
- Reduces transport damage.

Patented Energised Liquid Seal*

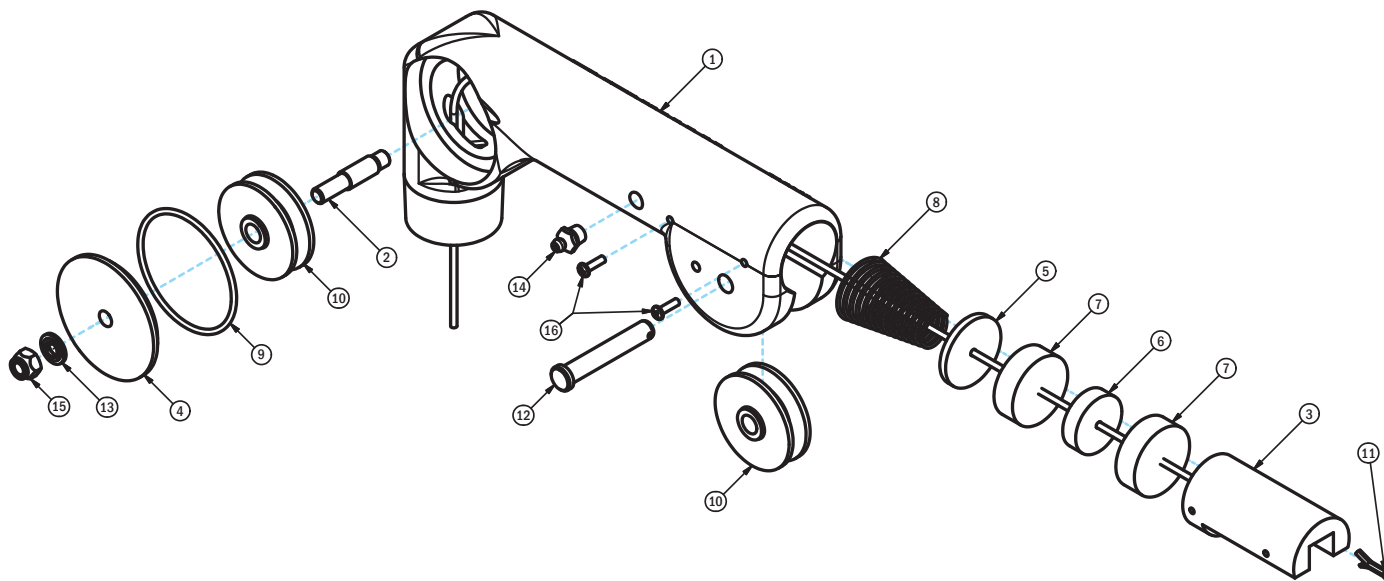
- Energised Liquid Seal cartridge fills the cable with sealing grease, denying even small amounts of gas to escape along with cable.
- Integrated seal and wiper design recovers grease from the cable, ensuring long periods between replenishment.
- Grease top-up easy with integrated 1/8" zerk.
- Maintains seal 5 - 10 times long than similar grease-seal competitors.
- US Patent 8,833,158, other patents pending

Two Connections in One

- Gauge Head has both 1-1/2 male NPT connections for new build tanks, and 3/4 female NPT to retrofit on existing tanks.



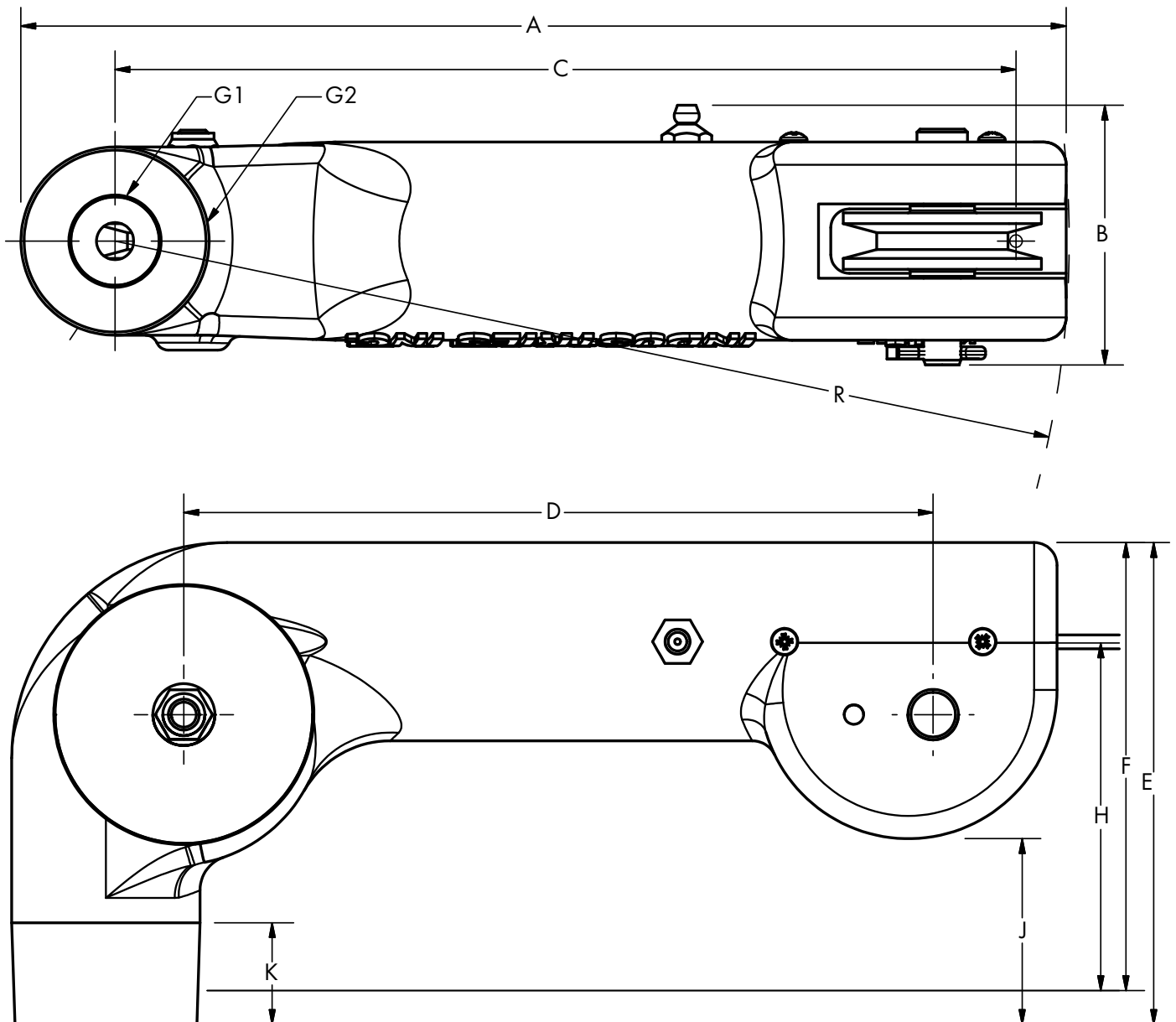
PARTS LIST & MATERIALS OF CONSTRUCTION



Item	P/N	Part Name	Material	Item	P/N	Part Name	Material
1	SH2-375-LS-BODY	Body	Cast Aluminum	9	SH2-375-LS-70	Cover Seal	FKM (Viton)
2	SH2-375-LS-20	Pulley Axle, Sealed Side	AL6061	10	10-1014N	Pulley	Nylatron
3	SH2-375-LS-30	Pulley Guide / Cartridge Cap	Nylatron	11	HW-1130	Cotter Pin	316 SS
4	SH2-375-LS-45	Pressure Cover	Al6061	12	HW-1144	Clevis Pin	316 SS
5	SH2-750-LS-30	Gasket Retainer	Nylatron	13	HW-1145	Seal Washer	ZP CS, NBR (Buna) Insert
6	SH2-750-LS-40	Spacer	Nylatron	14	HW-2002	Grease Zerk	316SS
7	SH2-750-LS-50	Gasket	eFKM (Sponge Viton)	15	HW-1147	Lock Nut	316SS, Nylon Insert
8	SH2-750-LS-60	Energising Spring	302SS	16	HW-1146	Cartridge Screw	316 SS



DIMENSIONS



Dimension	Model 375LS	Dimension	Model 375LS
A Overall Length	10.6	G1 Connection Size 1	3/4 FNPT
B Overall Width	2.6	G2 Connection Size 2	1-1/2 MNPT
C Cable Span	9.1	H Cable Exit Height	3.5
D Pulley Span	7.6	J Clearance	1.9
E Overall Height	3.9	K Thread Extent	1.0
F Handtight to top	4.5	Weight	3 lb

OPERATING SPECIFICATIONS

Measuring Principle	Mechanical (Float)	Process Temperature	- 40 °C to 60°C (w/ LLDPE Float)
Maximum Range	24 m [80 ft]	Ambient Temperature	- 40 °C to 70°C (w/ LLDPE Float)
Local Display	Tank Mounted Gauge Board & Indicator	Operating Pressure	0.15 bar [2 psi]
Process Connection	1-1/2 MNPT and 3/4 FNPT		



SYSTEM INFORMATION

The Model 375 LS Gauge Head forms the core of a complete level indication system. To take advantage of the full value of a Hawkeye Level Indication system, be sure to specify a complete Model 375 LS Level Indication System with components that are designed and engineered to work together.

A complete system includes:

- Model 375 LS Gauge Head with Top Roller Guide (Highlighted at right)
- Graduated Gauge Board, with volume in [m³]
- Freeze-resistant Indicator & Indicator Guides
- Horizontal Polyethylene Float (LLDPE)
- Float Guides

SYSTEM OPTIONS & ACCESSORIES

Stainless Steel Float

Suitable for high-temperature applications.

Float Guide Anchor

To secure float guides when tank floor cannot be accessed or modified.

Gauge Board Mounting Clips

Weld-on or magnetic clips to secure gauge board to tank wall.

Level Switches

Electrical or Pneumatics Mechanical point switches.

ORDERING INFORMATION

Complete Model 375 LS Level Indication System

1. Specify "Model 375 LS Level Indication System"
2. Specify Tank Height, and Volume
3. Specify desired gauge board graduations (volumetric [m³] is standard)
4. Specify any options or accessories required.

Individual Model 375 LS Gauge Head

1. Specify "Model 375 LS Gauge Head"

